

Robert H Wager Co., Inc.

570 Montroyal Road
 Rural Hall, NC 27045
 Ph: 800-562-7024
 Fx: 336-969-6375
 www.wagerusa.com

1600 Series (No Float)

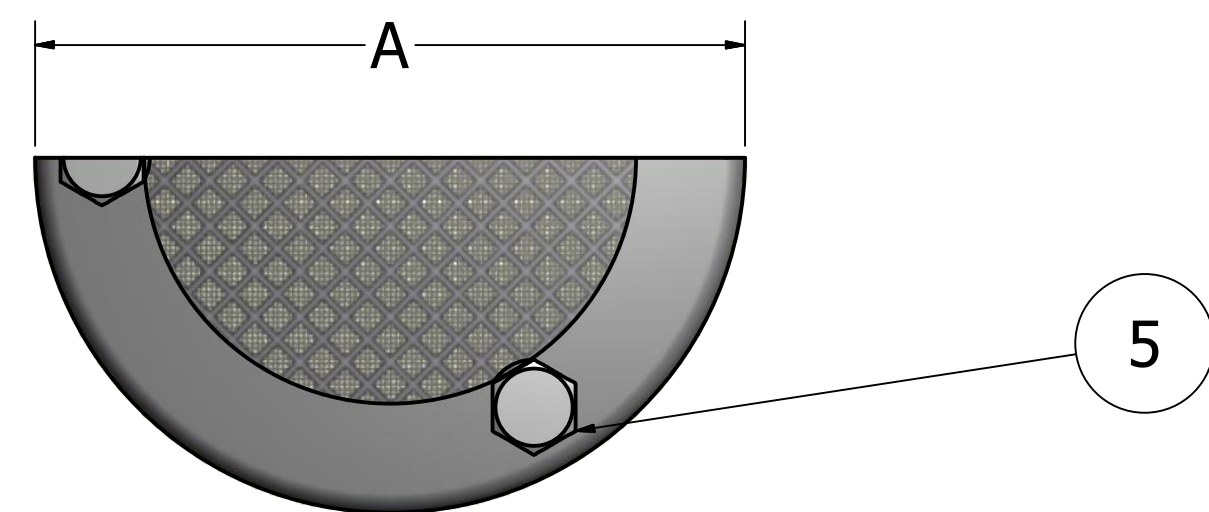
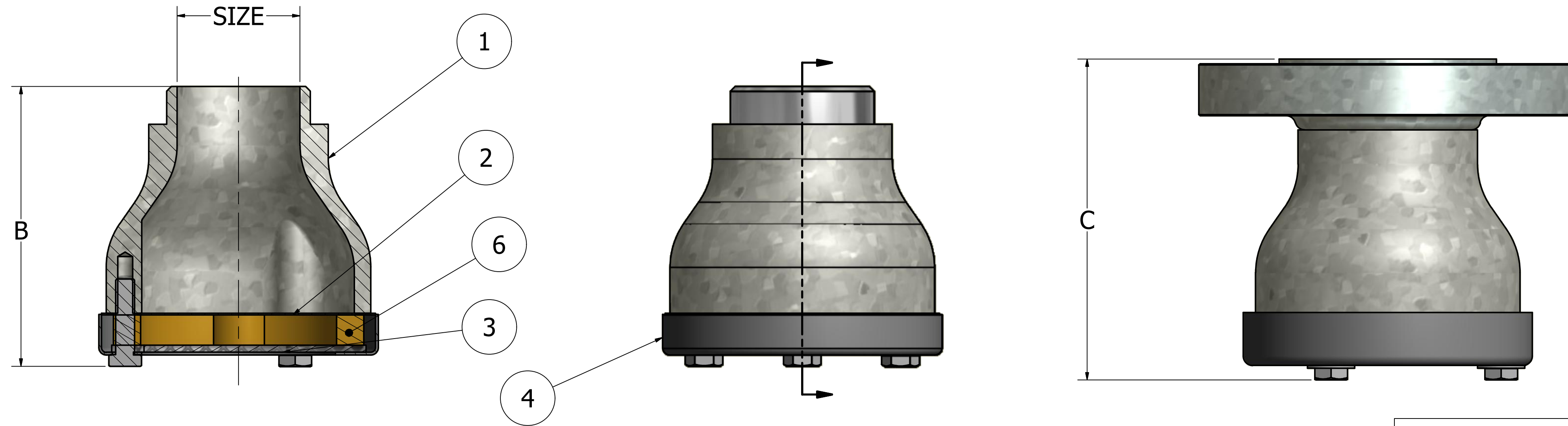
When Ordering, Please Specify:
 Body Material and Connection

Body Materials:

- 1020 Galvanized Steel
- Bronze (ASTM-B62)
- Anodized Aluminum (356-T6)
- Stainless Steel (316)
- Copper Nickel (90/10)

Connections:

- Threaded
- Buttweld (Steels and Aluminum Only)
- Socketweld (Steels and Aluminum Only)
- Flanged
- Sil-Brazed (Bronze Only)



Parts List		
ITEM	QTY	NAME OF PART
1	1	BODY
2	1	FLAME SCREEN
3	1	PROTECTIVE SCREEN
4	1	RETAINER CAP
5	3-8	CAP MOUNTING BOLT
6	1	SPACER RING

SIZE CHART							
SIZE	A	B	C	WEIGHT	W/ FLNG	# OF HOLES	HOLE DIA.
1.5	3.625	3.375	3.750	2.5 (LB)	8 (LB)	4	.625
2	4.500	3.375	3.875	3.25	11.5	4	.750
2.5	5.375	3.875	4.500	4.25	17	4	.750
3	6.250	3.875	4.563	5	24	4	.750
4	7.250	4.375	5.188	6.5	31	8	.750
5	10.250	7.750	8.625	26	40	8	.875
6	11.500	8.750	9.750	35	52	8	.875
8	14.500	9.750	10.875	62	84	8	.875
10	17.125	12.75	14.000	88	125	12	1.000
12	23.750	15.25	16.875	195	252	12	1.000
14	30.500	20.500	20.625	320	380	12	1.000
16	30.500	19.625	20.000	300	400	16	1.000