

Robert H Wager Co., Inc.

570 Montroyal Road
 Rural Hall, NC 27045
 Ph: 800-562-7024
 Fx: 336-969-6375
 www.wagerusa.com

1700 Series (w/ full float)

When Ordering, Please Specify:
 Body Material, Connection, and Float Material

Body Materials:

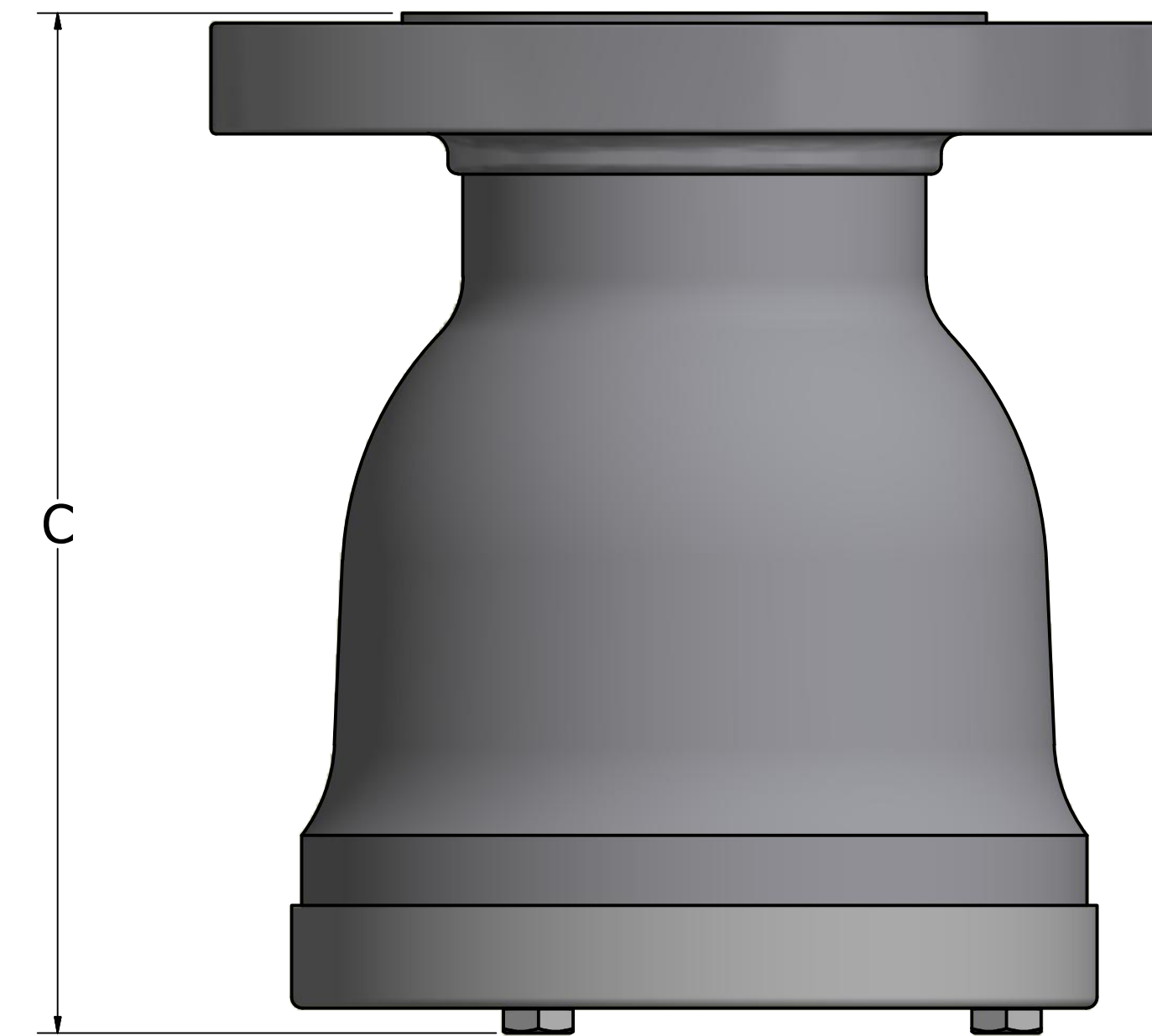
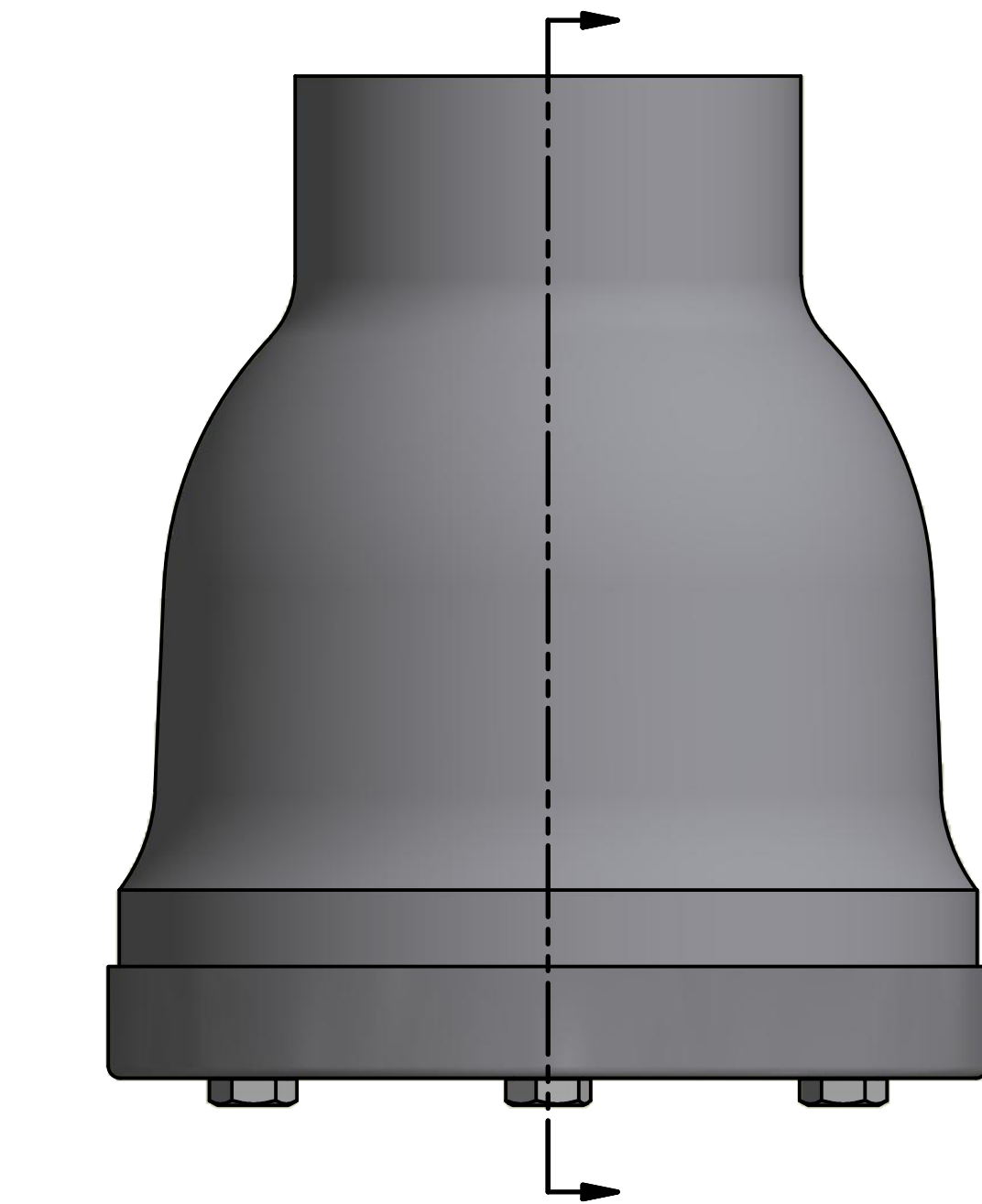
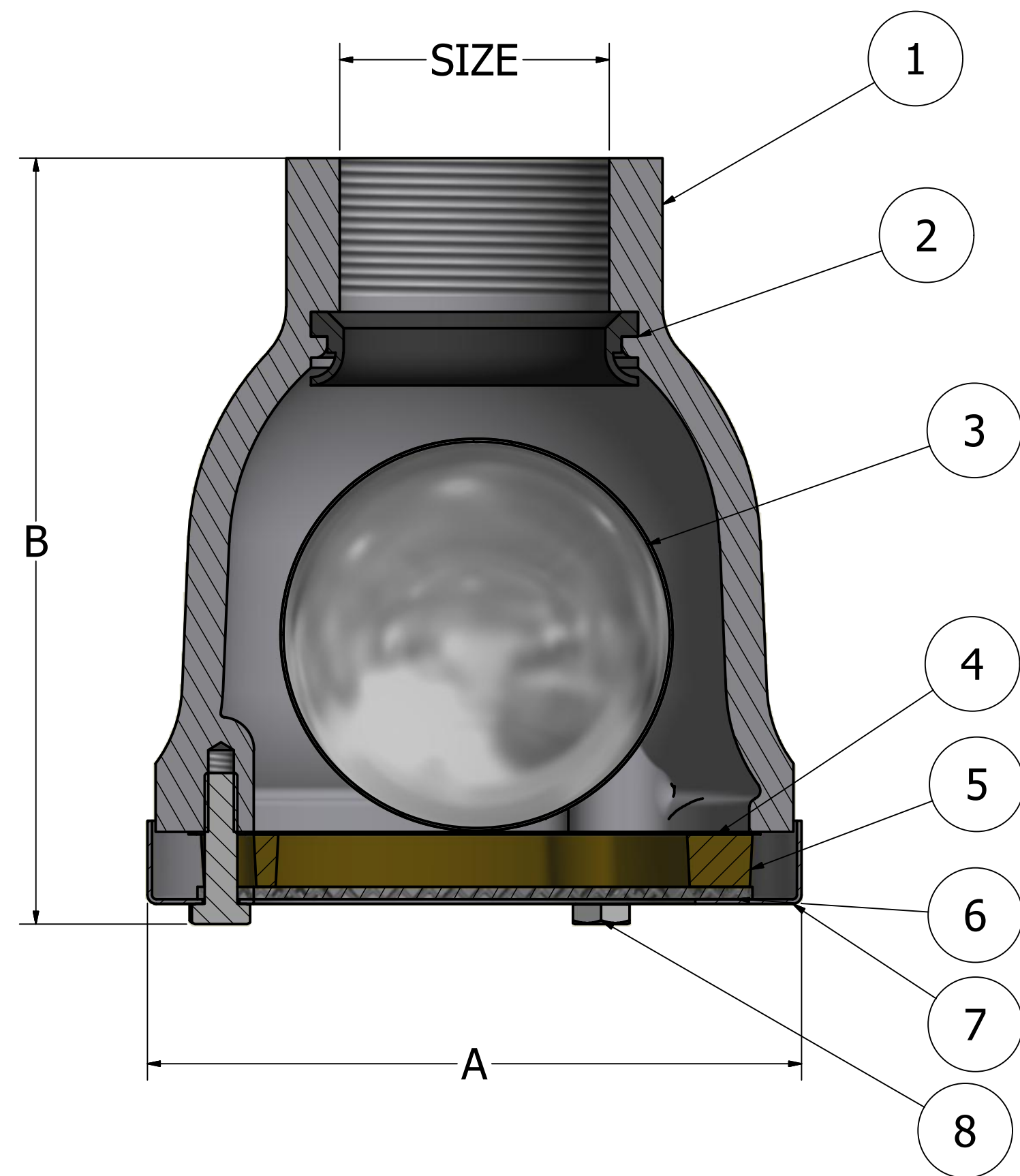
- 1020 Galvanized Steel
- Bronze (ASTM-B62)
- Anodized Aluminum (356-T6)
- Stainless Steel (316)

Float Materials:

- 316 Stainless Steel (Standard)
- Copper
- High Density Polyethylene (Plastic)
- Monel

Connections:

- Threaded
- Buttweld (Steels Only)
- Socketweld (Steels and Aluminum Only)
- Flanged
- Sil-Brazed (Bronze Only)



Parts List		
ITEM	QTY	NAME OF PART
1	1	BODY
2	1	SEAT
3	1	FLOAT
4	1	FLAME SCREEN
5	1	SPACER RING
6	1	PROTECTIVE SCREEN
7	1	RETAINER CAP
8	*	CAP MOUNTING BOLTS

SIZE CHART							
SIZE	A	B	C	WEIGHT	W/ FLANGE	# OF HOLES	HOLE SIZE
.75,1,1.25 STEEL	4.500	4.875	5.25	5 (LB)	8 (LB)	4	0.625
ONLY 1.5 ALL							
2-ALL	5.375	5.937	6.437	8	12	4	0.750
2.5-ALL	6.250	6.375	7.000	10	17	4	0.750
3-ALL	7.125	7.250	7.937	15	24	4	0.750
4-ALL	7.813	8.750	9.5625	20	31	8	0.750
.75,1,1.25 BRONZE	4.000	4.189	4.25	3.5B,1.5A	2.25	4	0.625
& ALUMINUM					ALUMINUM ONLY		