

# Robert H Wager Co., Inc.

570 Montroyal Road  
 Rural Hall, NC 27045  
 Ph: 800-562-7024  
 Fx: 336-969-6375  
 www.wagerusa.com

## Uncontrolled Copy

(For Reference Only)

## 1700 Series (w/ Half Float)

When Ordering, Please Specify:  
 Body Material, Connection, and Float Material

### Body Materials:

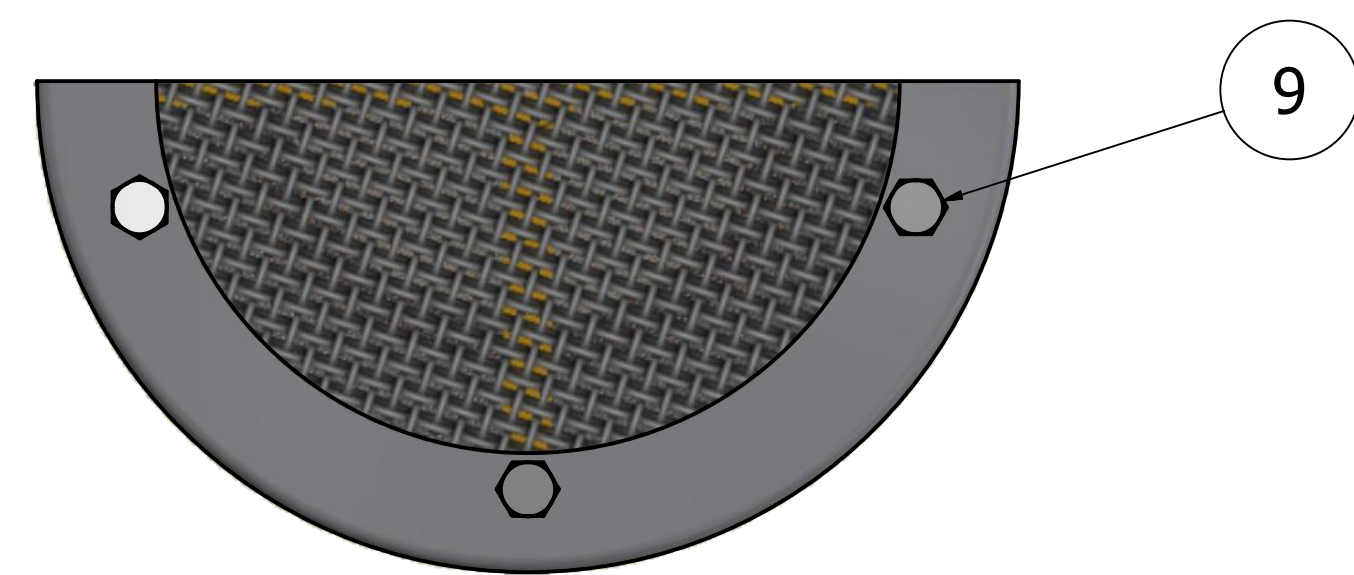
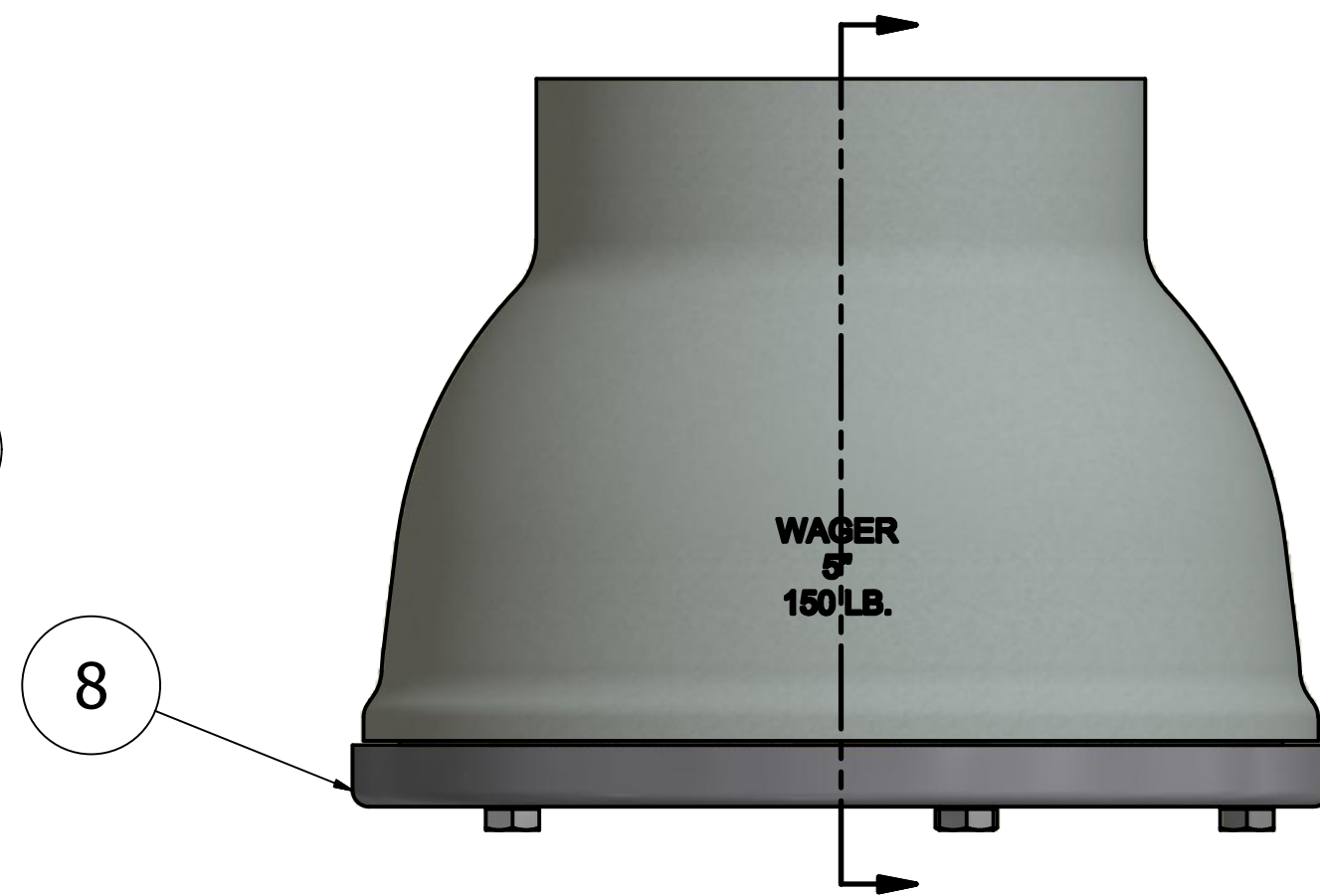
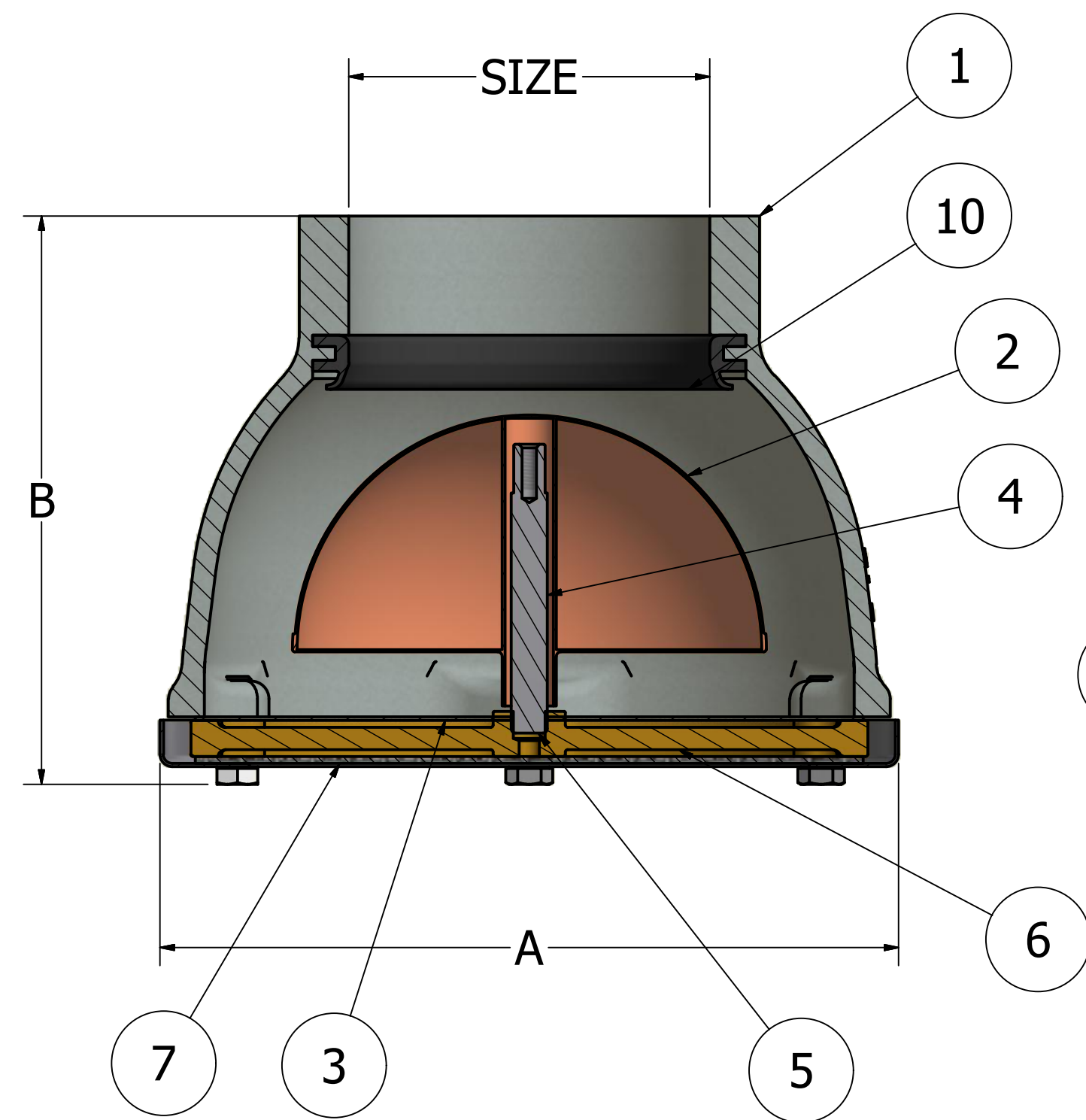
- 1020 Galvanized Steel
- Bronze (ASTM-B62)
- Stainless Steel (316)
- Anodized Aluminum (356-T6)

### Float Materials:

- 316 Stainless Steel
- Copper (Standard)
- High Density Polyethylene (Plastic)
- Monel

### Connections:

- Threaded
- Buttweld (Steel & Stainless Only)
- Socketweld (Steel, Stainless, & Alum. Only)
- Flanged
- Sil-Brazed (Bronze Only)



Parts List		
ITEM	QTY	NAME OF PART
1	1	BODY
2	1	FLOAT
3	1	FLAME SCREEN
4	1	GUIDE ROD
5	1	G.R. MOUNTING BOLT
6	1	FLOAT SUPPORT
7	1	PROTECTIVE SCREEN
8	1	RETAINER CAP
9	5*	CAP MOUNTING BOLT
10	1	SEAT

Parts List							
SIZE	A	B	C	WEIGHT	W/ FLNG	HOLES	HOLE SIZE
5	10.250	7.750	8.625	27 (LB.)	42 (LB.)	8	.875
6	11.500	8.750	9.750	35	54	8	.875
8	14.500	9.750	10.875	62	88	8	.875
10	17.275	12.595	14.000	78	115	12	1.000
12	23.750	15.250	16.875	195	260	12	1.000
14	30.500	18.500	20.125	285	370	12	1.125
16	30.500	18.500	20.375	265	360	16	1.125

\* 5" HAS (5) MOUNTING BOLTS  
 6" & 8" HAVE (6) MOUNTING BOLTS  
 10" THRU 16" HAVE (8) MOUNTING BOLTS