

Robert H Wager Co., Inc.

570 Montroyal Road
 Rural Hall, NC 27045
 Ph: 800-562-7024
 Fx: 336-969-6375
 www.wagerusa.com

Uncontrolled Copy

(For Reference Only)

1750 Series (w/ full float)

When Ordering, Please Specify:
 Body Material, Connection, and Float Material

Body Materials:

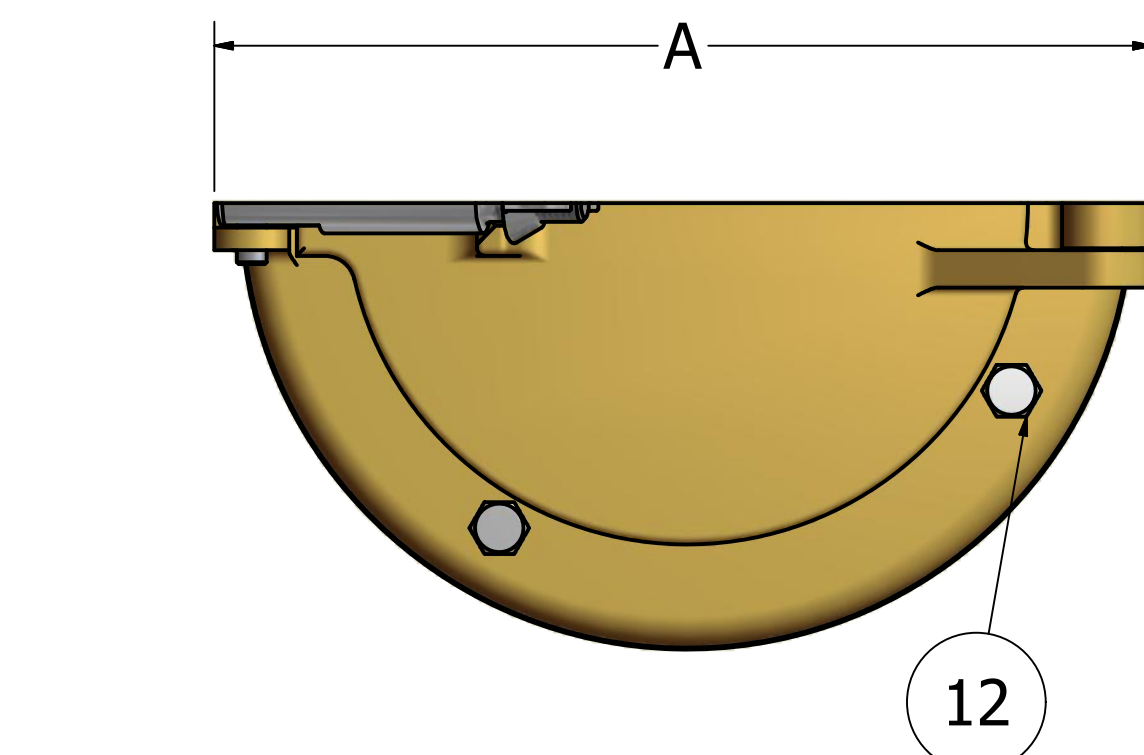
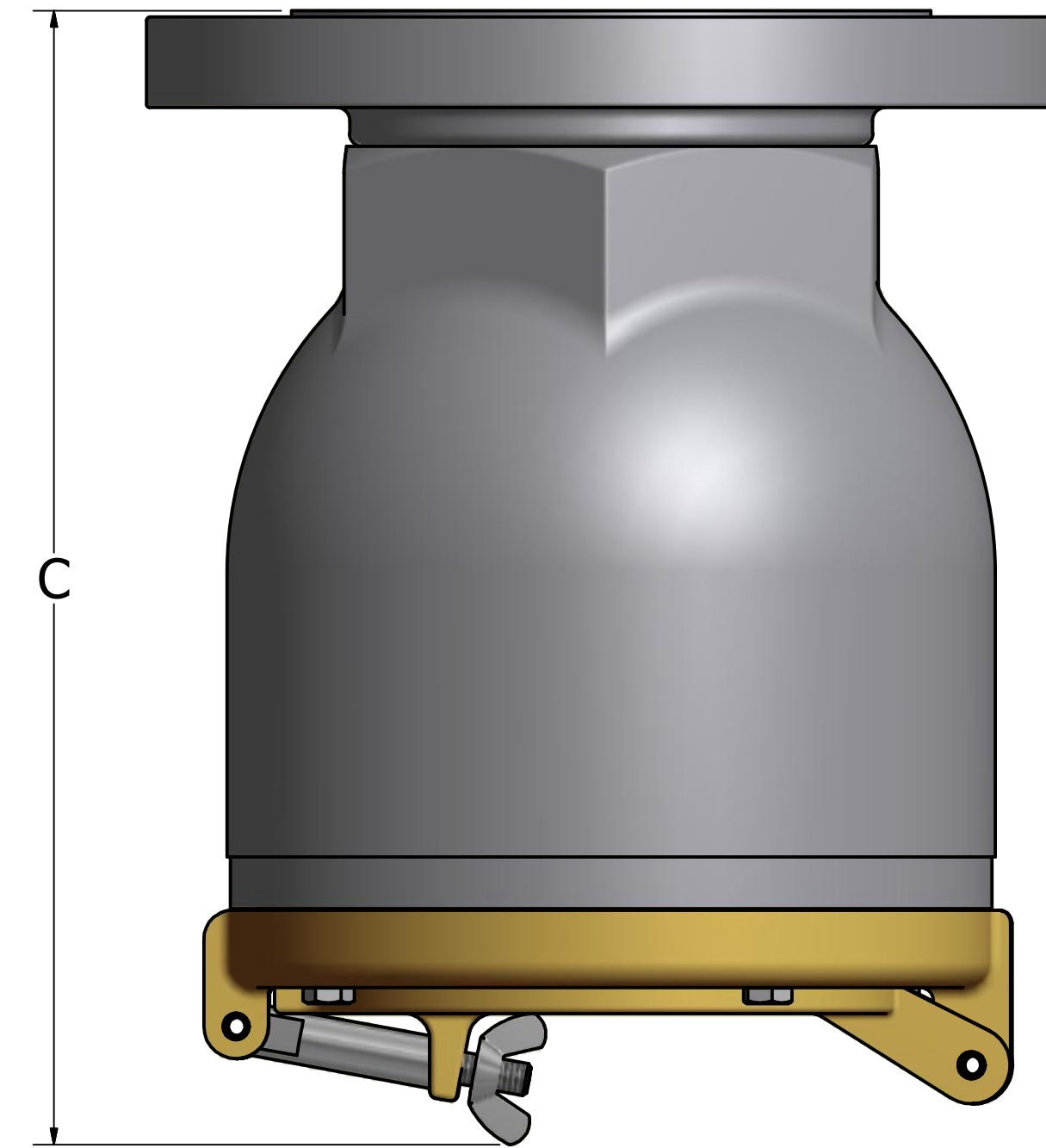
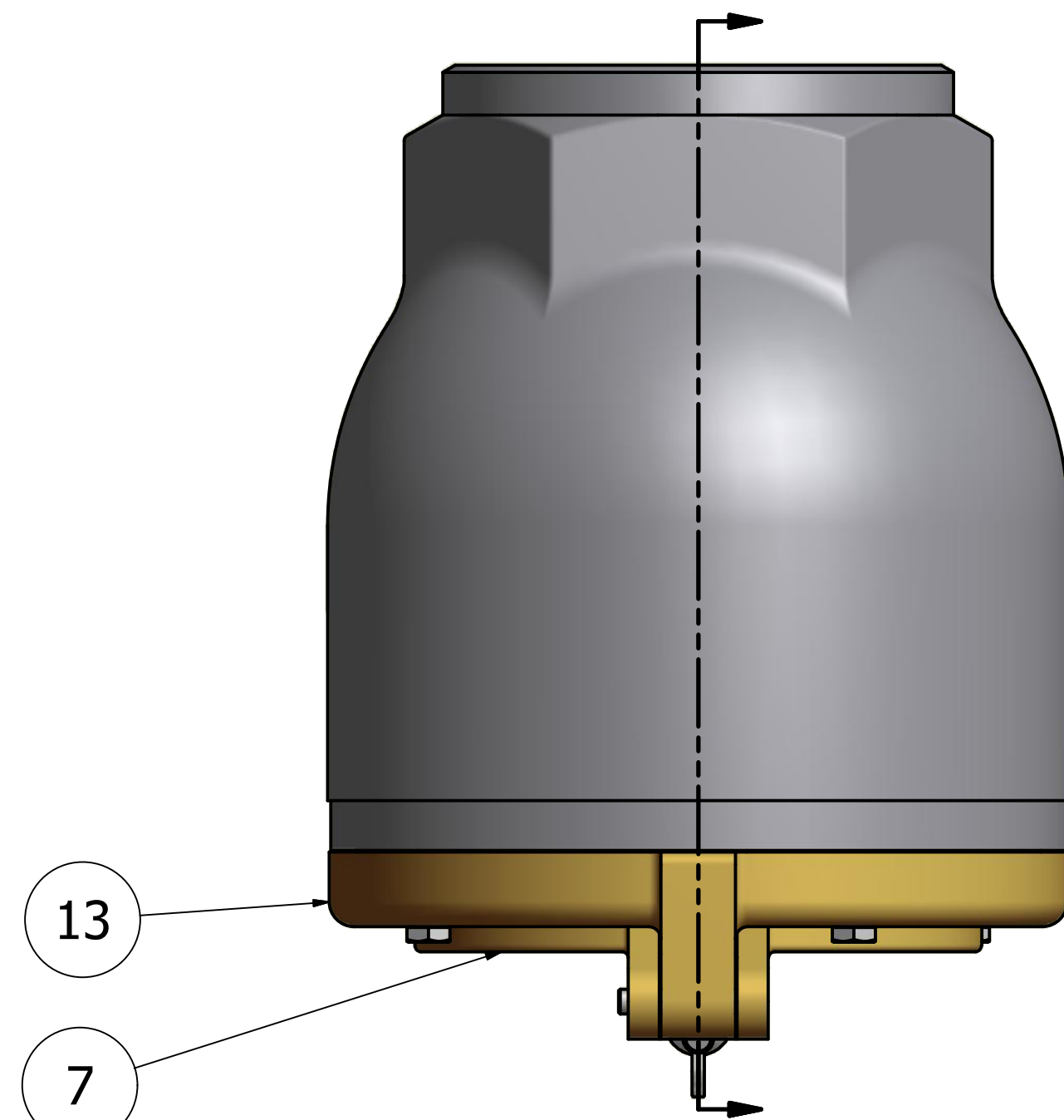
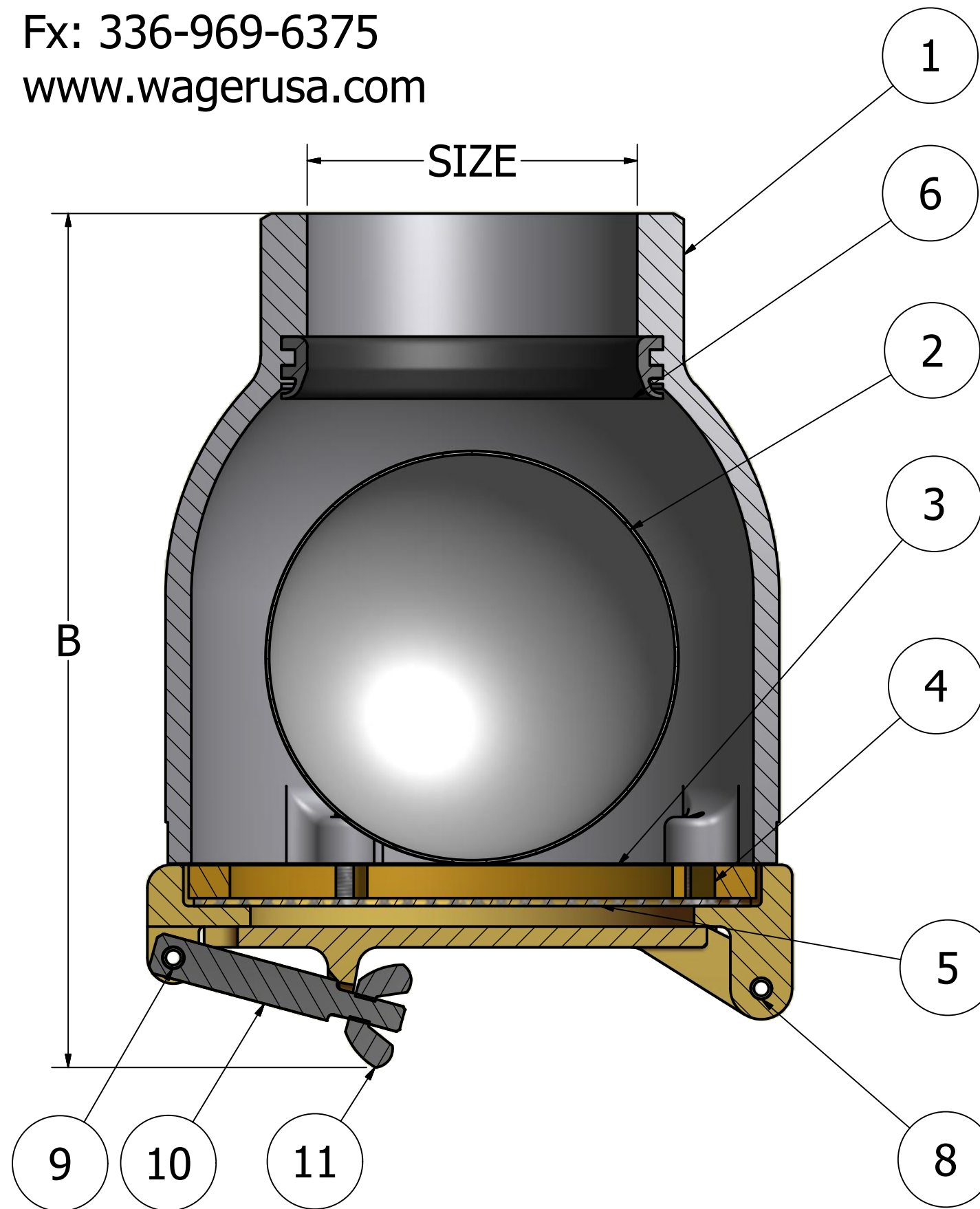
- 1020 Galvanized Steel
- Bronze (ASTM-B62)
- Anodized Aluminum (356-T6)
- Stainless Steel (316)

Float Materials:

- 316 Stainless Steel (Standard)
- Copper
- High Density Polyethylene (Plastic)
- Monel

Connections:

- Threaded
- Buttweld (Steel, Stainless, and Aluminum Only)
- Socketweld (Steel, Stainless, and Aluminum Only)
- Flanged
- Sil-Brazed (Bronze Only)



Parts List			Parts List		
ITEM	QTY	NAME OF PART	ITEM	QTY	NAME OF PART
1	1	BODY	8	1	COVER HINGE PIN
2	1	FLOAT	9	1	TOGGLE BOLT PIN
3	1	FLAME SCREEN	10	1	TOGGLE BOLT
4	1	SPACER RING	11	1	TOGGLE BOLT WING NUT
5	1	PROTECTIVE SCREEN	12	3*	CAP MOUNTING BOLTS
6	1	SEAT	13	1	COVER FRAME
7	1	COVER			

SIZE CHART							
SIZE	A	B	C	WEIGHT	W/ FLANGE	# OF HOLE	HOLE SIZE
.75,1,1.25	4.500	4.875	6.750	7 (LB)	10 (LB)	4	0.625
STEEL ONLY 1.5 ALL							
2-ALL	5.375	5.937	7.938	10	16	4	0.750
2.5-ALL	6.250	6.375	8.500	13	21	4	0.750
3-ALL	7.125	7.250	9.438	20	28	4	0.750
4-ALL	7.813	8.750	11.063	25	36	8	0.750
.75,1,1.25	4.500	5.25	5.5	5B,3A	4	4	0.625
BRONZE & ALUMINUM			(AL. ONLY)		ALUMINUM ONLY		

* 4" HAS (4) MOUNTING BOLTS