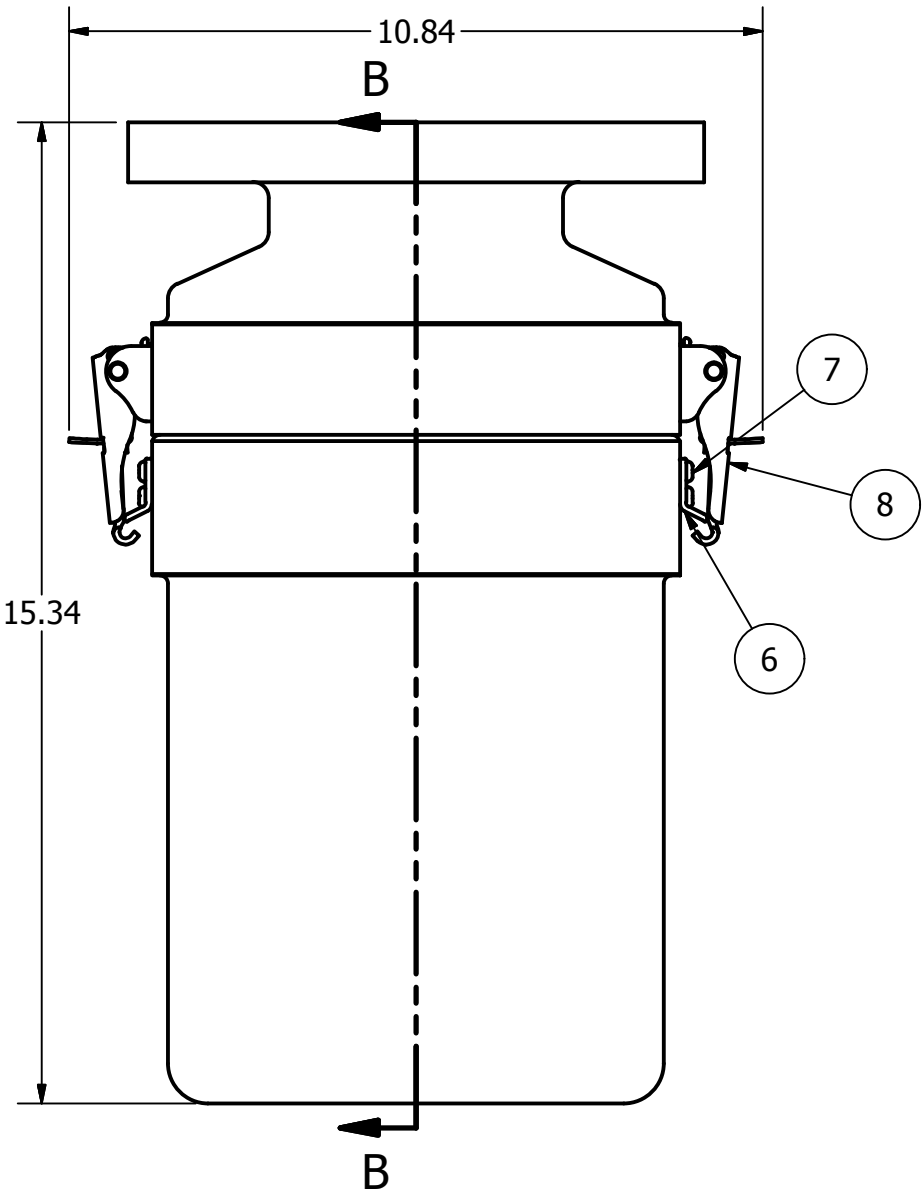
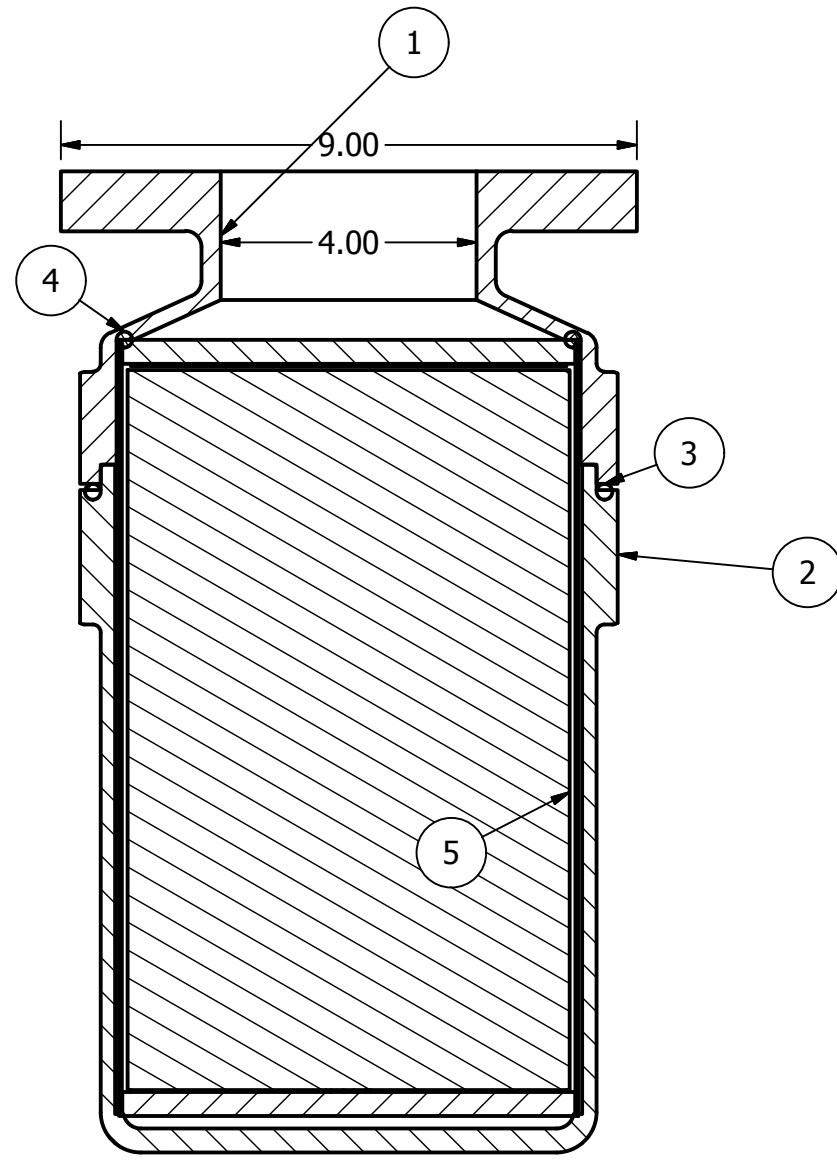


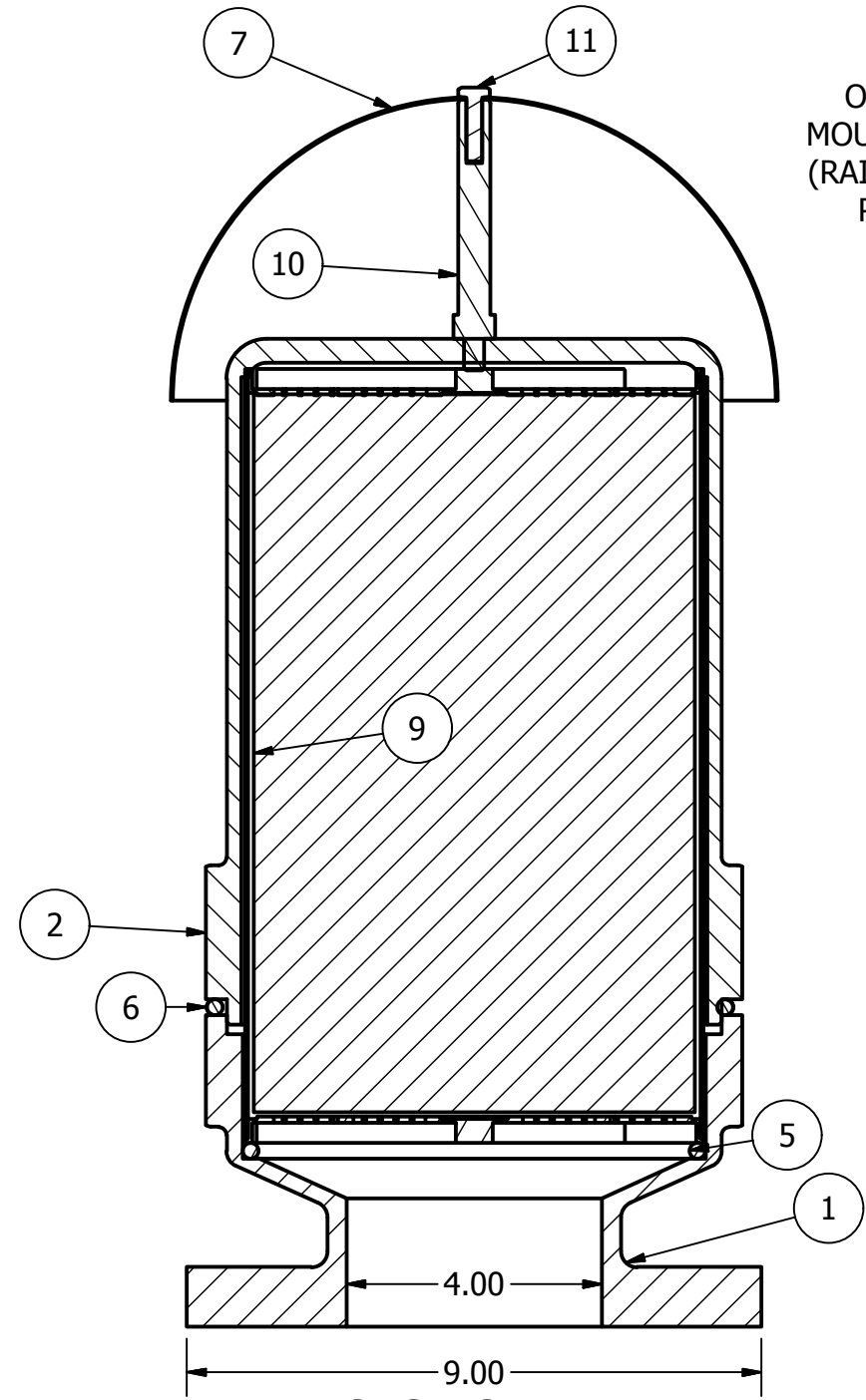
PARTS LIST			
ITEM	QTY	PART NUMBER	DESCRIPTION
1	1	1804AFFPC	ALUMINUM FLANGED BASE
2	1	1804B	ALUMINUM BASKET
3	1	1804-G	MEDIA GASKET
4	1	1850-G	BASKET GASKET
5	1	OCI-MEDIA	MEDIA FILTER
6	2	91-600-52	SS LATCH CATCH
7	10	SCRW-8-32	SS LATCH PH. HD. SCREWS
8	2	91-532-52 LATCH	SS LATCH



NORMAL INVERTED MOUNTING POSITION
PN# 4-1800FAPC

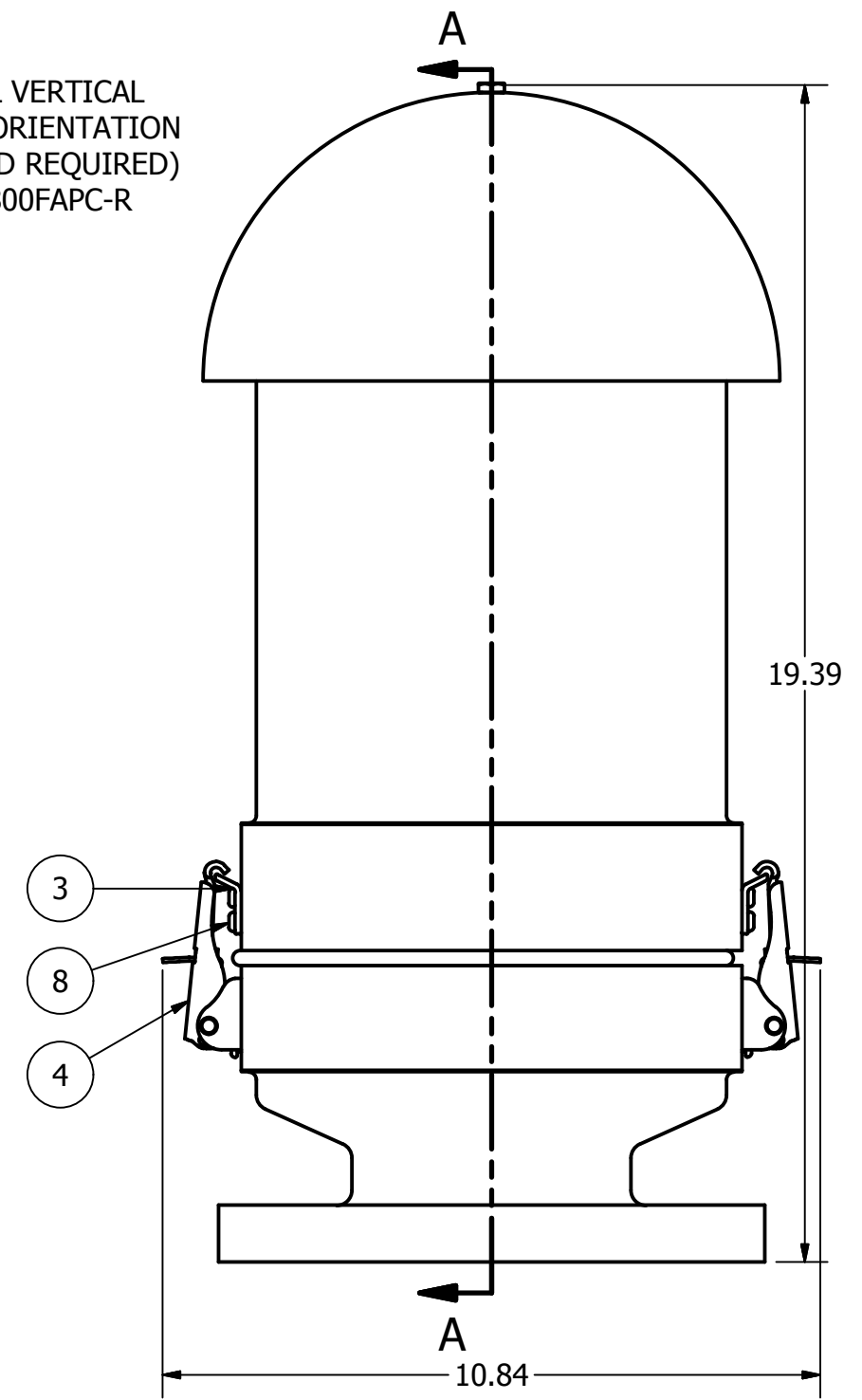


SECTION B-B
SCALE 1/3



SECTION A-A
SCALE 1/3

OPTIONAL VERTICAL MOUNTING ORIENTATION
(RAIN SHIELD REQUIRED)
PN# 4-1800FAPC-R



PARTS LIST			
ITEM	QTY	PART NUMBER	DESCRIPTION
1	1	1804AFFPC	ALUMINUM FLANGED BASE
2	1	1804B	ALUMINUM BASKET
3	2	91-600-52	SS LATCH CATCH
4	2	91-532-52 LATCH	SS LATCH
5	1	1850-G	BASKET GASKET
6	1	1804-G	MEDIA GASKET
7	1	Rain Shield - A	SS RAIN SHIELD
8	10	SCRW-8-32	SS LATCH PH. HD. SCREW
9	1	OCI-MEDIA	MEDIA FILTER
10	1	1500-3GR	.500" DIA. RAIN SHIELD MOUNTING ROD
11	1	BOLT-1/4-3/4	SS 1/4-20 x 1" HEX HEAD

DRAWN SHARDY	1/27/2012
CHECKED	
QA	
MFG	
APPROVED	
SCALE	

ROBERT H. WAGER CO.

TITLE
**4-1800 VERTICAL AND
INVERTED SEWER VENT**

SIZE C	DWG NO 4-1800FAPC-4-1800FAPC-R	REV
SHEET 1 OF 1		