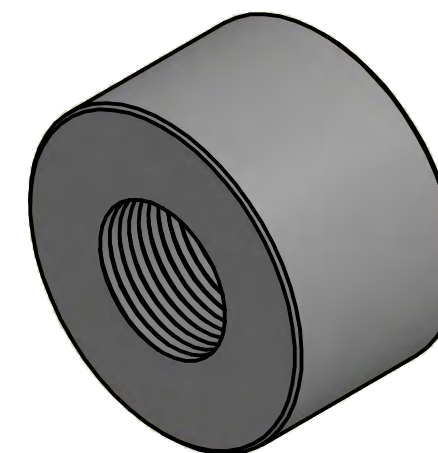
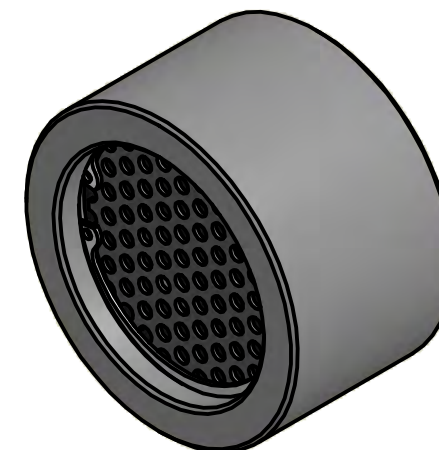
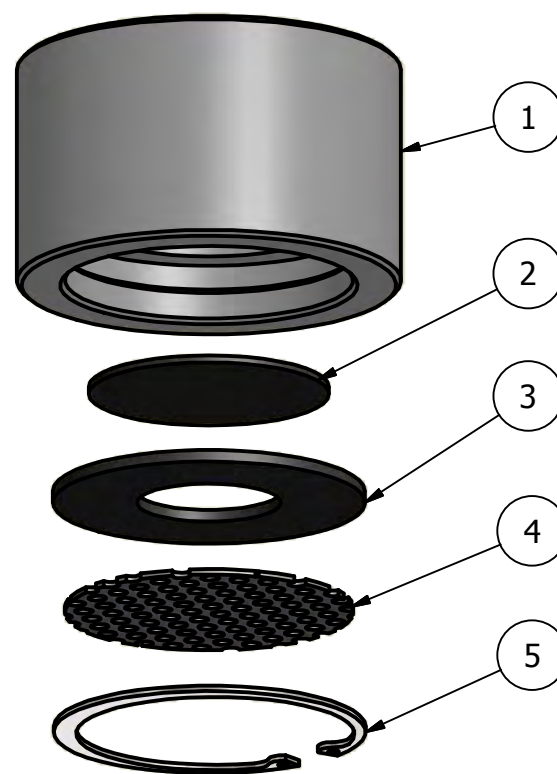
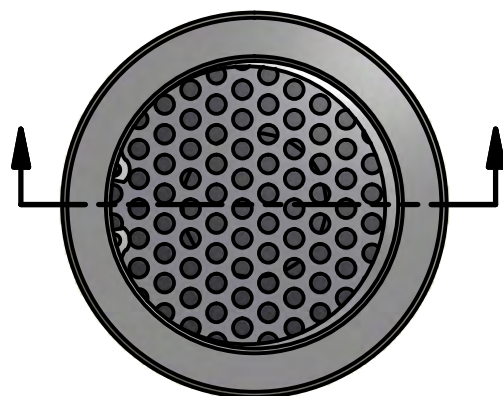
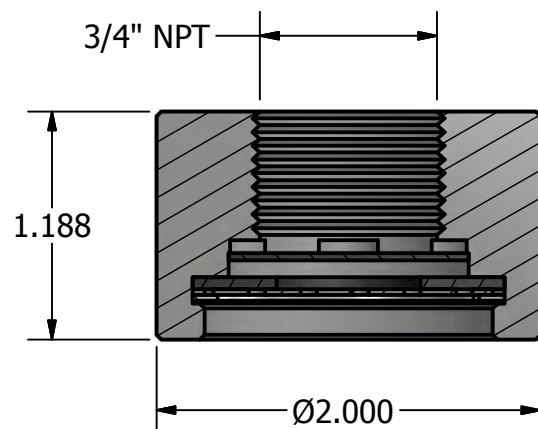


Robert H. Wager Co., Inc.

570 Montroyal Road
 Rural Hall, NC 27045
 Ph: 800-562-7024
 Fx: 336-969-6375
 www.wagerusa.com

ANTI-SYPHONIC VALVE

3/4 NPT FEMALE THREADED ANTI-SYPHON VALVE



Parts List				
ITEM	QTY	PART NUMBER	DESCRIPTION	MATERIAL
1	1	AS-1(PVC),AS-1-B(BRONZE), AS-1-A(ALUMINUM)	3/4" THREADED VALVE BODY	PVC, BRONZE, ALUMINUM
2	1	AS-2	DIAPHRAGM	RUBBER
3	1	AS-3	RETAINING GASKET	RUBBER
4	1	SCRN-1SS	DEBRIS SCREEN	STAINLESS STEEL
5	1	AS-4	RETAINING RING	ZINC PLATED STEEL