

Robert H. Wager Co., Inc.

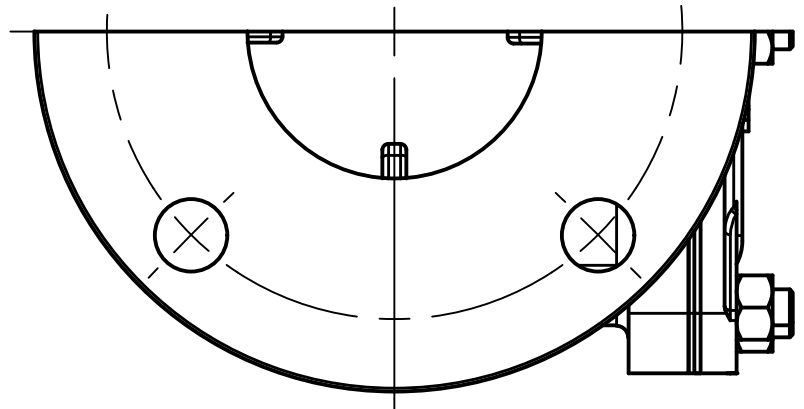
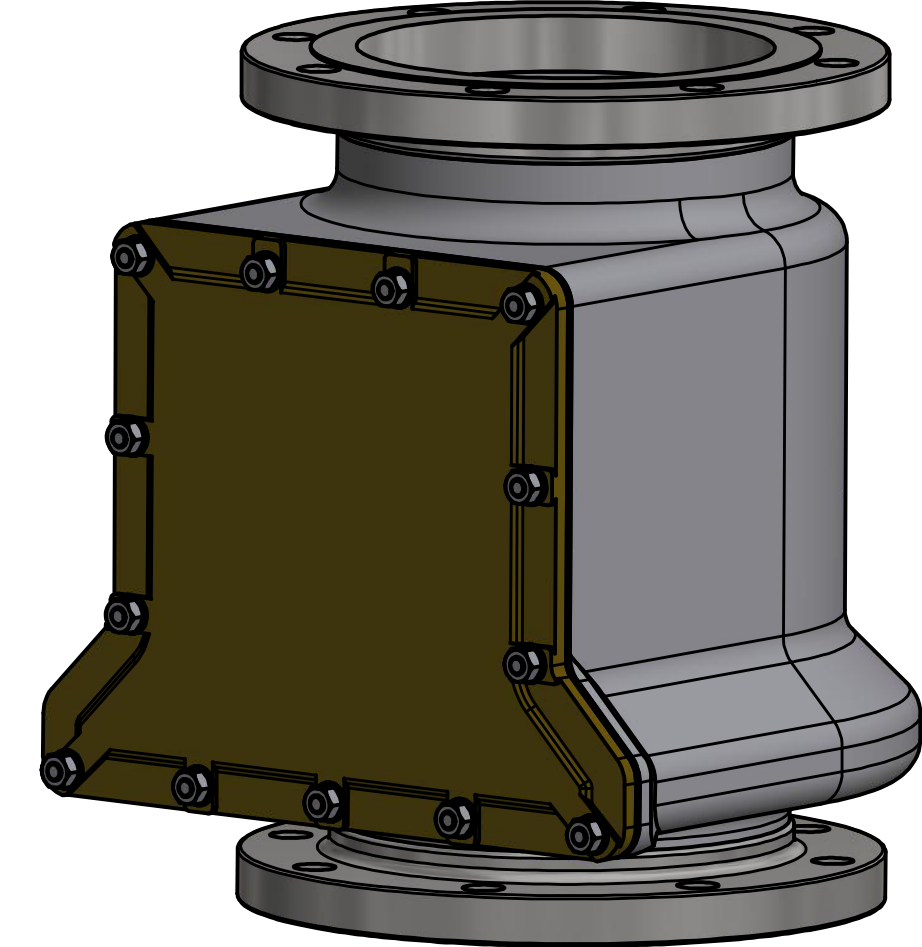
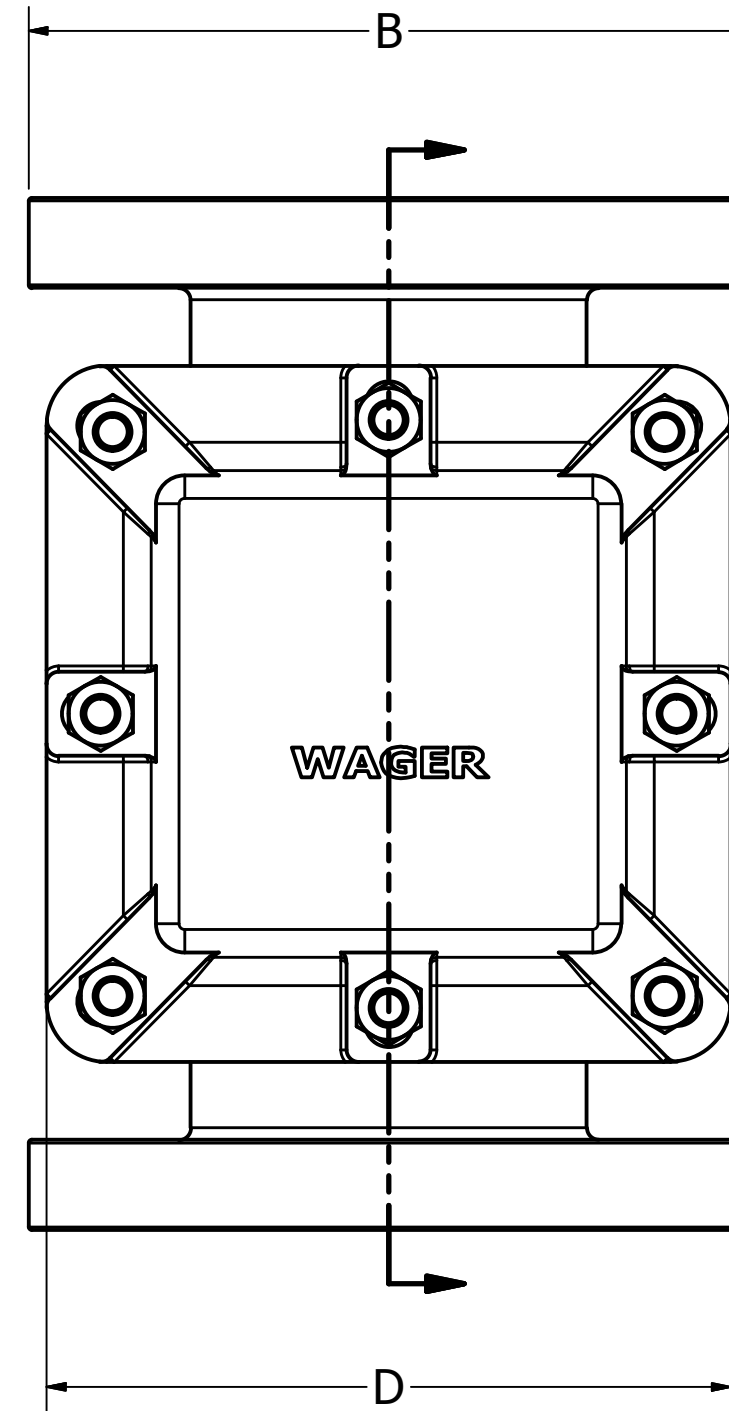
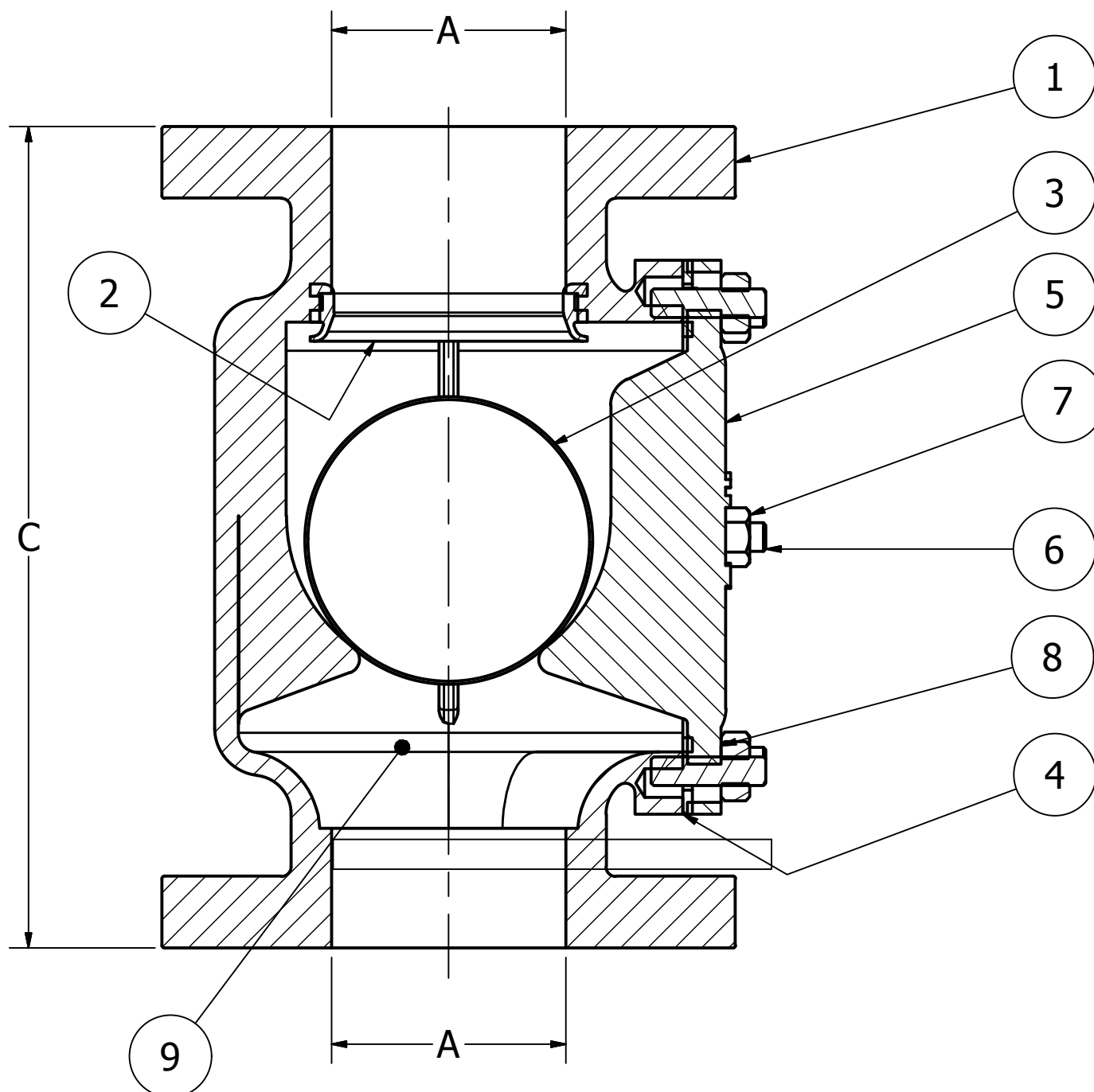
570 Montroyal Road
 Rural Hall, NC 27045
 Ph: 800-562-7024
 Fx: 336-969-6375
 www.wagerusa.com

1300 - INLINE

VERTICAL MOUNT INLINE VENT CHECK VALVE

When ordering specify:

- Connection
 Flanged (150 LB.) - Butt weld (SCH. 40)- Threaded (NPT) - Socket weld
- Material (BODY)
 Bronze-B62-CR3600, Aluminum-356-T6, Galvanized Steel-1020 , & 316 Stainless Steel



PARTS LIST			
ITEM	QTY	PART NUMBER	MATERIAL
1	1	VALVE HOUSING	SEE ABOVE
2	1	SEAT	BUNA
3	1	FLOAT	316 SS, HDPE, OR COPPER
4	1	GASKET	BUNA
5	1	COVER	B62 BRONZE, 316 SS, 356-T6 ALUMINUM
6	*	STUD	316SS
7	*	NUT	316SS
8	*	SEALING WASHER	316SS, RUBBER BACKED
9	1	OPTIONAL SCREEN	316SS

* AMOUNTS VARY BY SIZE

SIZE CHART			
SIZE "A"	B	C	D
1.5(BRONZE & ALUMINUM)	5	8.313	5.125
1.5(STEEL & 316SS)	5	7.375	4.375
2(BRONZE & ALUMINUM)	6	8	4.875
2(STEEL & 316SS)	6	8.75	5.375
2.5	7	9	5.875
3	7.5	10.75	7.125
4	9	13.5	8.5
5	10	16	8.75
6	11	17	12.75
8	13.5	18	15.5
10	16.5	24.5	18.5