

Robert H. Wager Co., Inc.

570 Montroyal Road
 Rural Hall, NC 27045
 Ph: 800-562-7024
 Fx: 336-969-6375
 www.wagerusa.com

Parts List		
ITEM	QTY	PART
1	1	BODY
2	1	GASKET
3	1	PLUG
4	SOLD SEPARATELY	OPERATING WRENCH

SOUNDING TUBES

MATERIALS:

BODIES:
 STEEL
 316 STAINLESS STEEL
 ALUMINUM

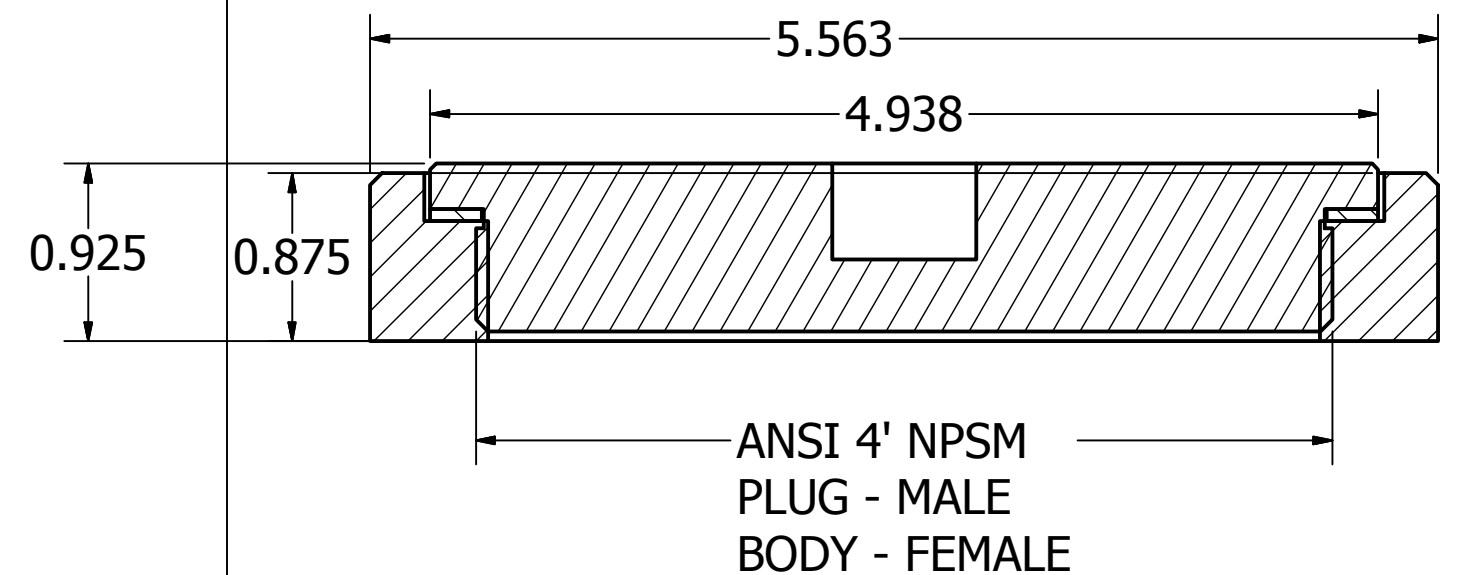
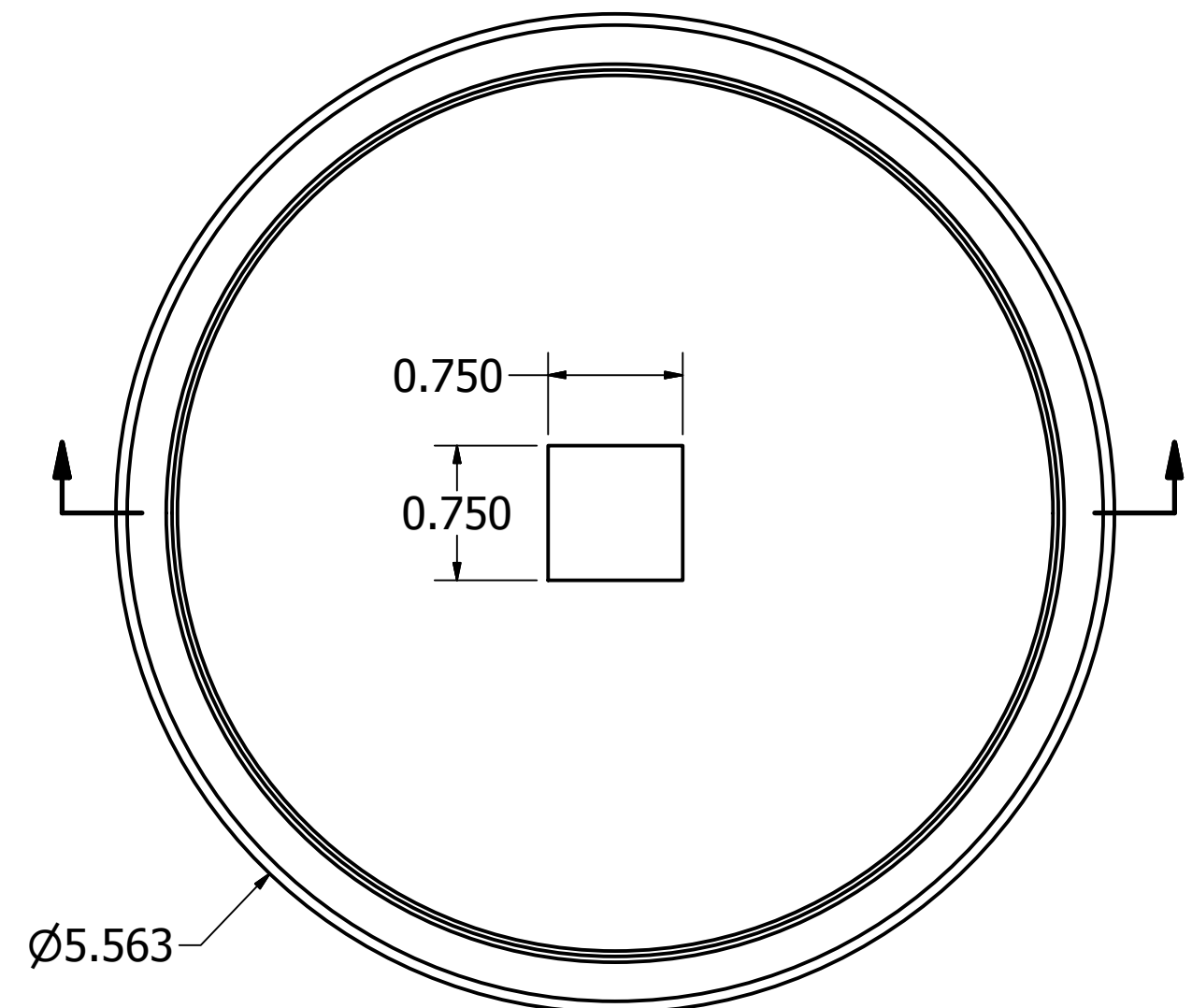
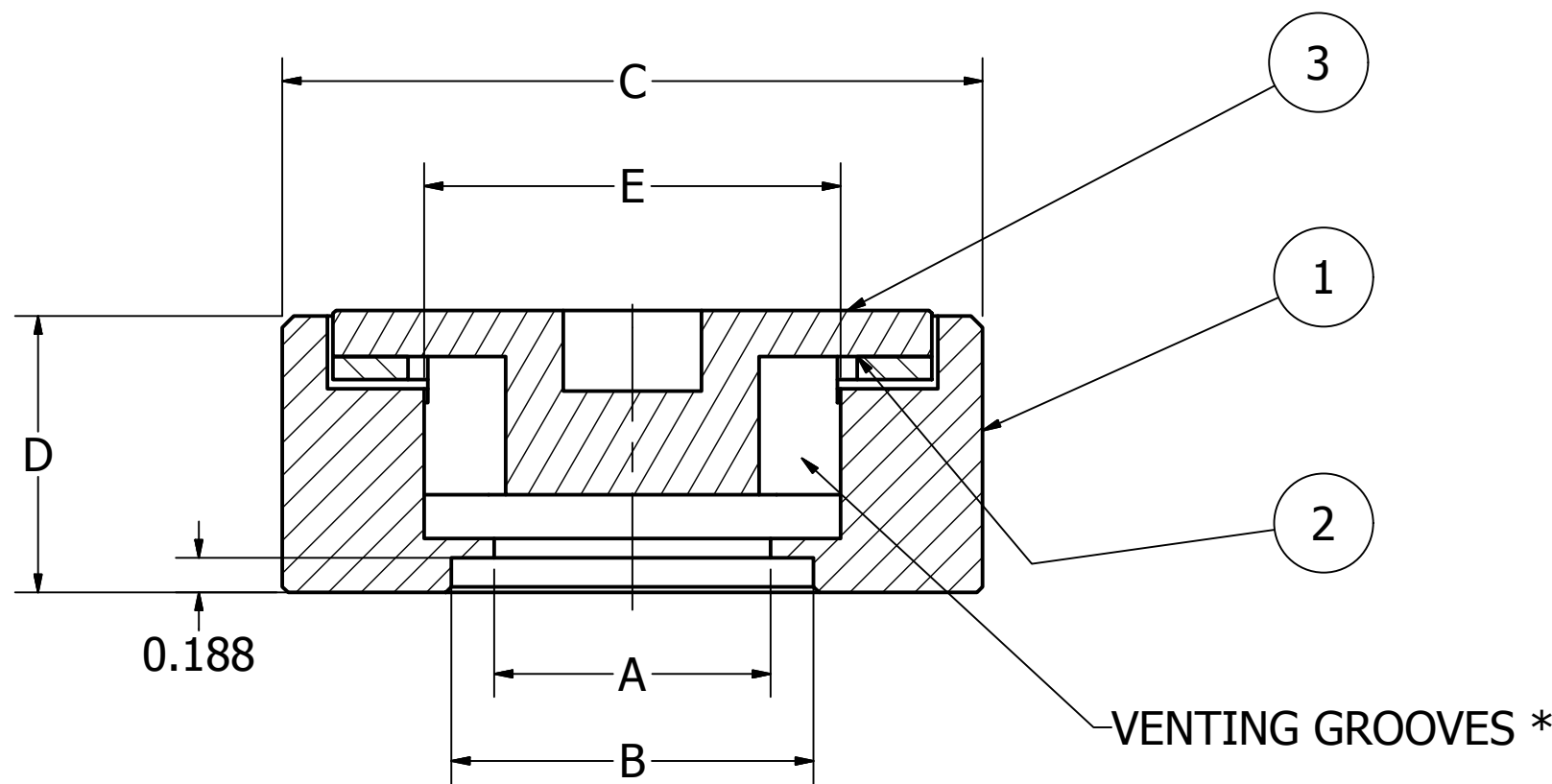
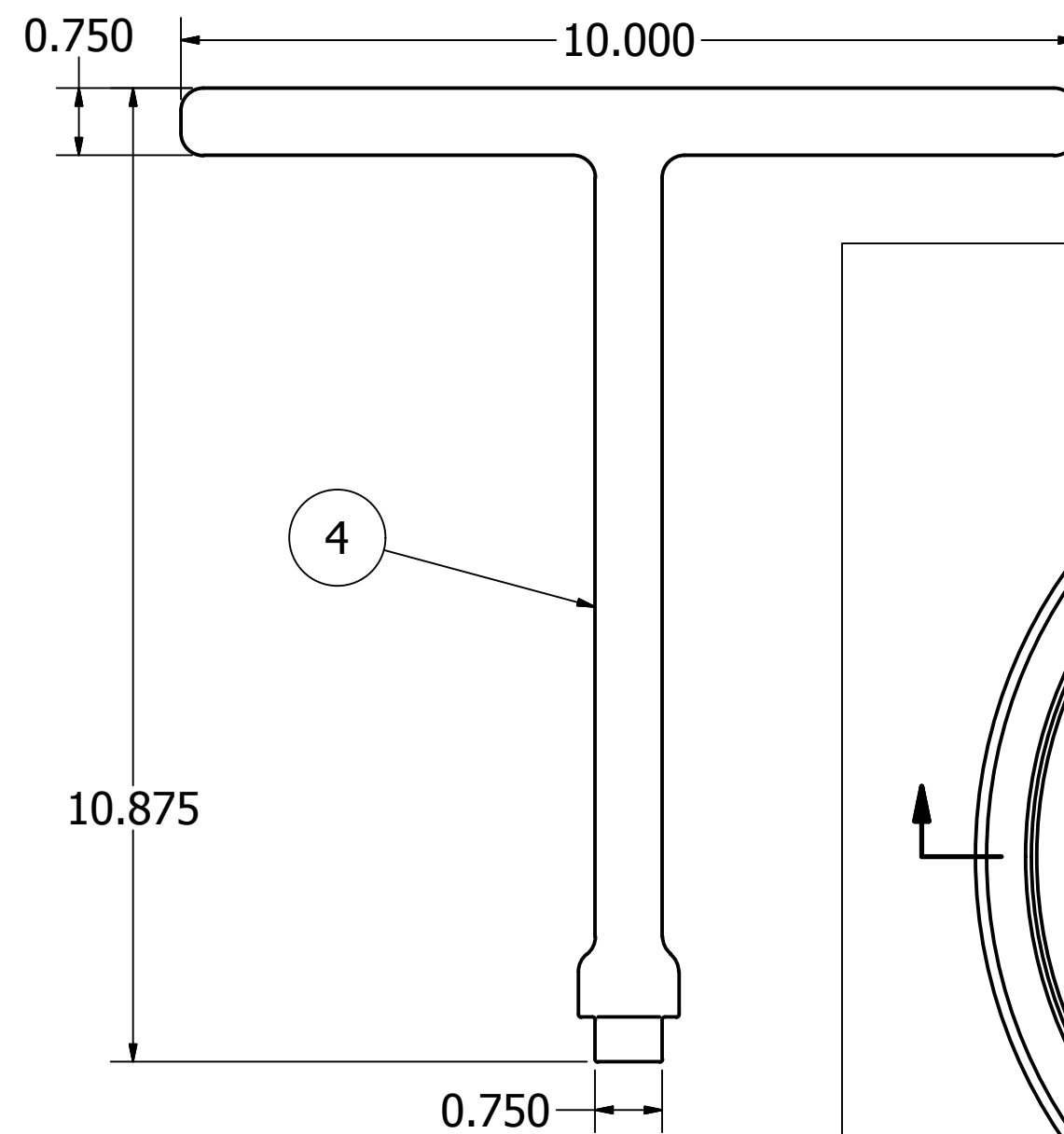
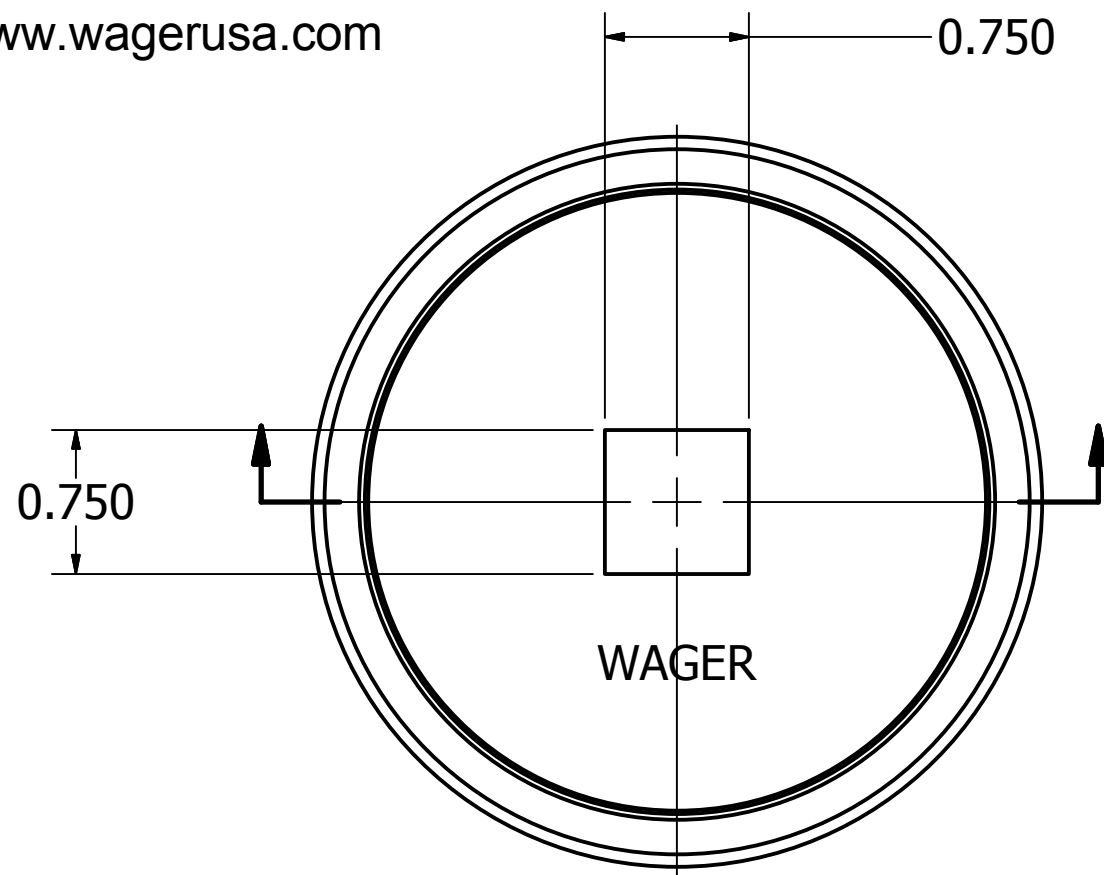
PLUGS:
 316 STAINLESS STEEL
 C93200 BEARING BRONZE

DEWATERING PLUG

MATERIALS:

BODIES:
 STEEL
 316 STAINLESS STEEL
 ALUMINUM

PLUGS:
 316 STAINLESS STEEL
 C93200 BEARING BRONZE



* VENTING STYLE IS OPTIONAL

PRODUCT DIMENSIONS

A (SIZE)	B	C	D	E	WEIGHT
1.5	1.95-1.98	3.800	1.500	ANSI 2" NPSM	3.5 (LB.)
2	2.44-2.47	3.800	1.500	ANSI 2" NPSM	3.5
2.5	2.94-2.97	4.750	1.500	ANSI 3" NPSM	6
3	3.57-3.60	4.750	1.500	ANSI 3" NPSM	6