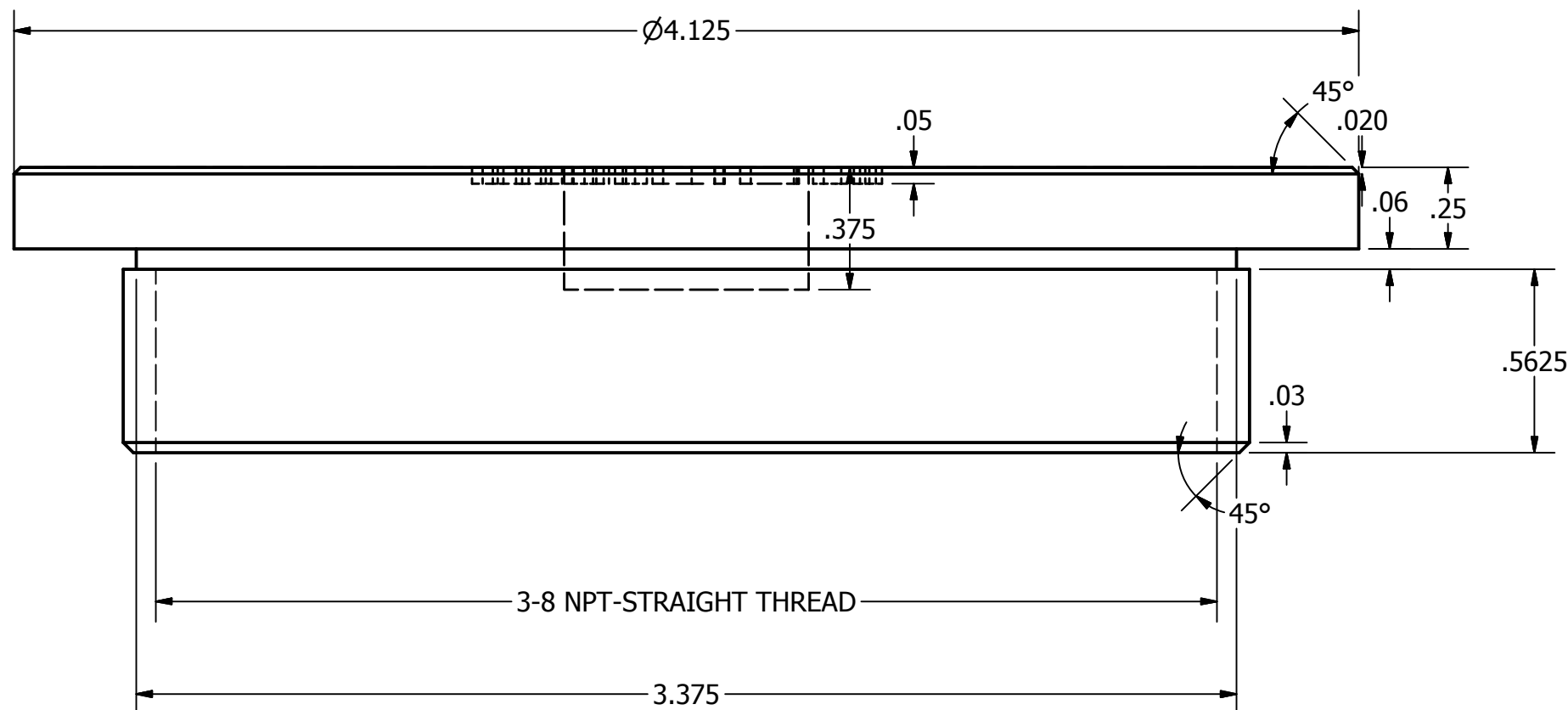
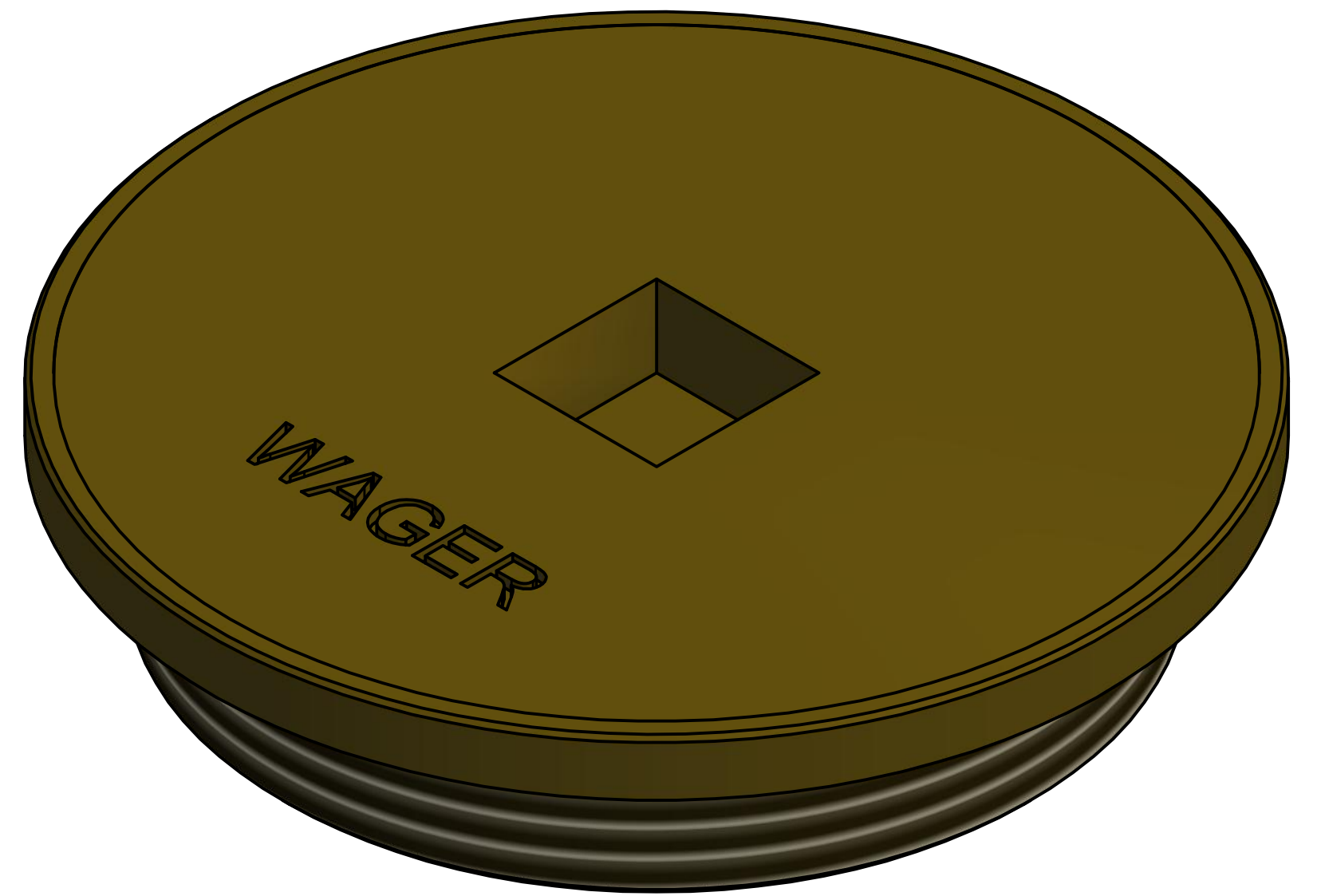
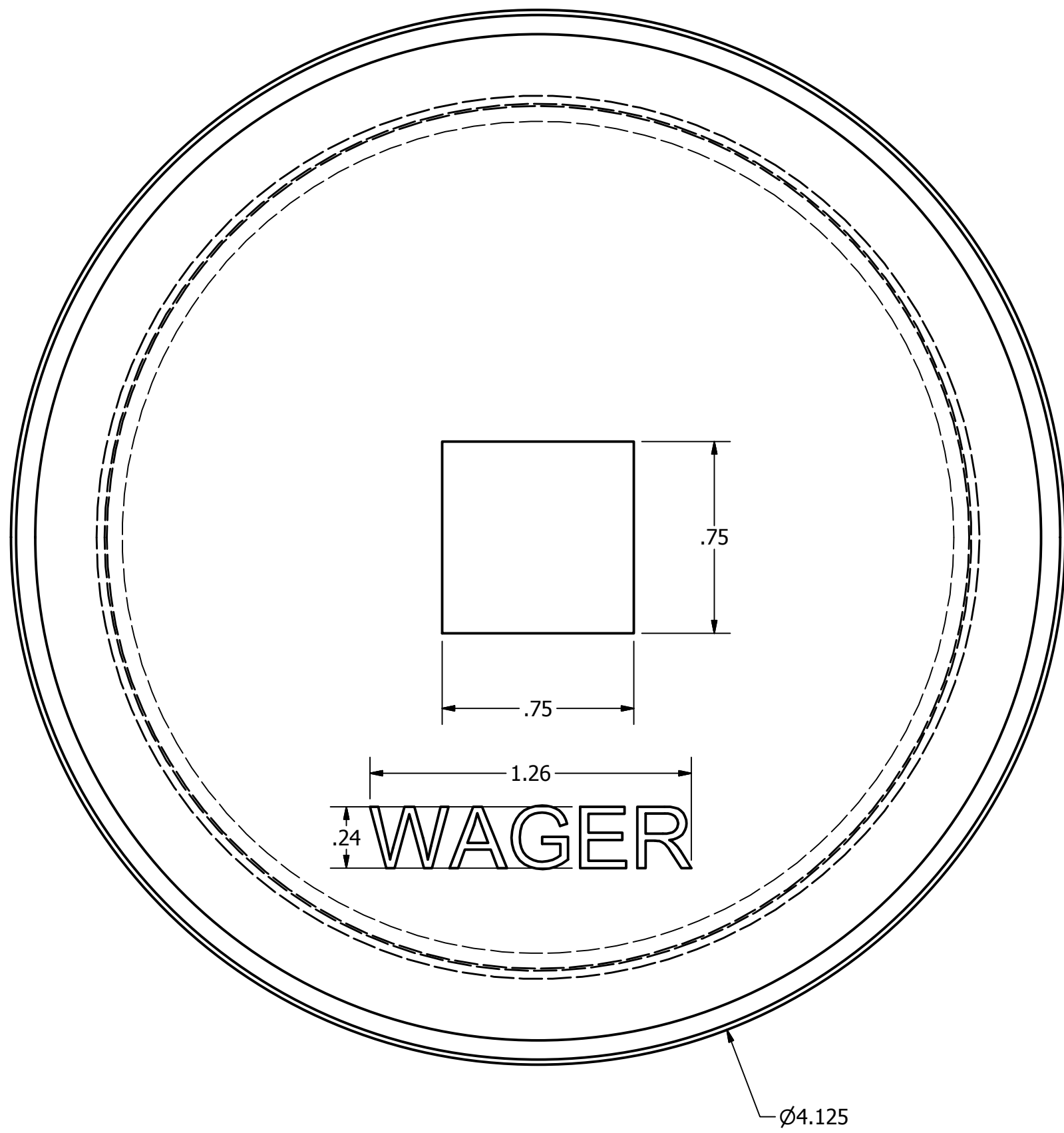


SECTION A-A
SCALE 1 : 1

MATERIAL - CAST BRONZE (B62)
 WEIGHT - 1.36 LBS.
 TOLERANCE - ± 0.015 , UNLESS OTHERWISE LISTED
 ALL DIMENSIONS ARE IN INCHES

DRAWN shardy	3/25/2010	ROBERT H. WAGER CO., INC.		
CHECKED		TITLE		
QA		SOUNDING TUBE PLUG - 1.5" - 2" STANDARD		
MFG		SIZE B	DWG NO 233-PLUG-S	REV
APPROVED		SCALE	SHEET 1 OF 1	



DRAWN SHARDY	5/8/2012	ROBERT H. WAGER CO.	
CHECKED		TITLE	
QA		3" SOUNDING TUBE	
MFG		BRONZE STRAIGHT	
APPROVED		THREAD PLUG	
		SIZE	DWG NO
		C	233-PLUG-3-S
		SCALE	REV
			SHEET 1 OF 1