

SECTION A-A
SCALE 1 : 1

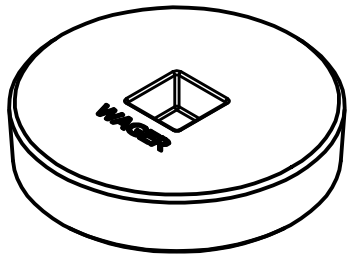
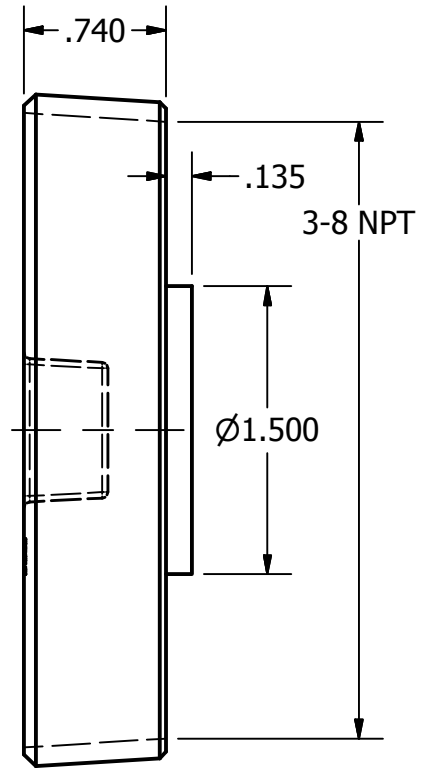
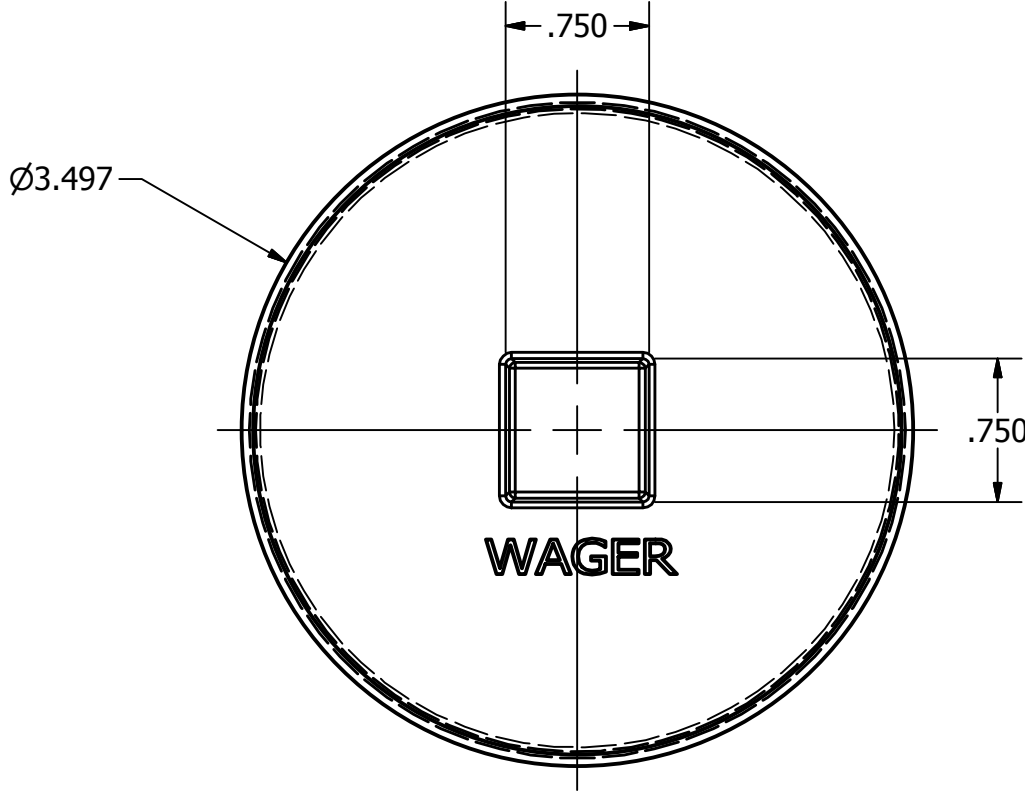
NOTES:

1. TAPER ANGLE FOR THREAD IS 3.576°
2. CERTIFY THREADS WITH GAGE.
PART SHOULD FIT ONE (1) THREAD
DEEP ON THE GAGE.

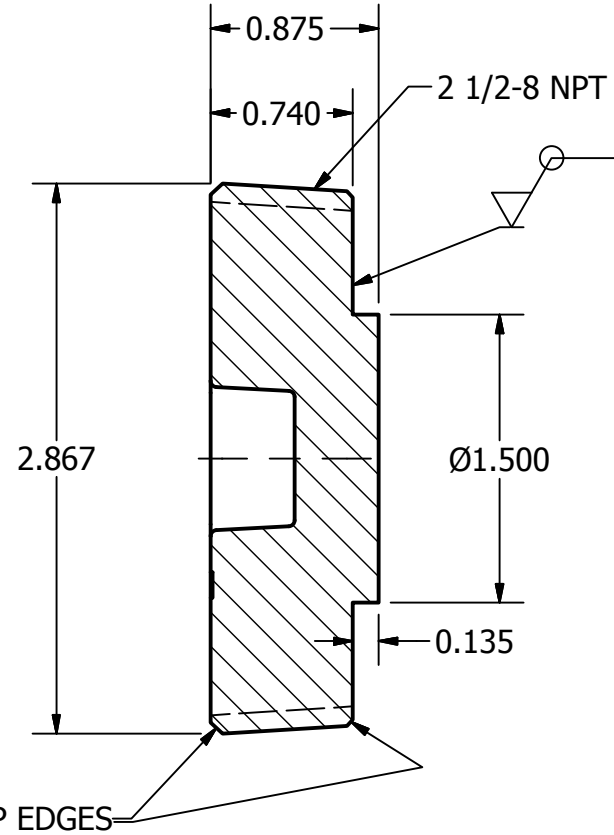
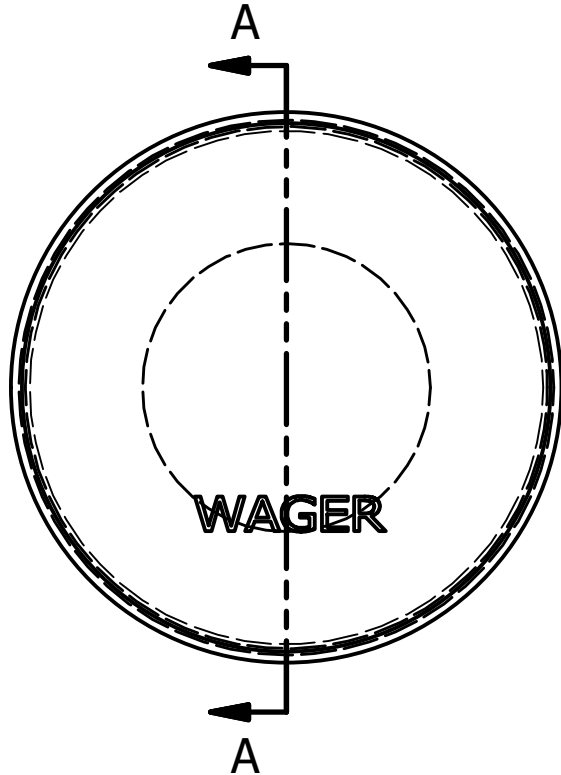
TOLERANCE - $\pm .015$ UNLESS OTHERWISE NOTED

DRAWN SMH	11/21/2005	ROBERT H. WAGER COMPANY, INC.		
CHECKED		TITLE		
QA		SOUNDING TUBE PLUG, 1.5" - 2"		
MFG		SIZE	DWG NO	REV
APPROVED		A	233-PLUG	A
		SCALE		SHEET 1 OF 1

MATERIAL - BRONZE (B62)
 WEIGHT - 2.5 LBS.



DRAWN SHARDY	7/14/2010	ROBERT H. WAGER CO., INC.		
CHECKED				
QA		TITLE		
MFG		PLUG, SOUNDING TUBE, 3"		
APPROVED		SIZE	DWG NO	REV
		A	233-PLUG-3	
		SCALE	SHEET 1 OF 1	



SECTION A-A
SCALE 1 : 1

NOTES:

1. TAPER ANGLE FOR THREAD IS 3.576°
2. CERTIFY THREADS WITH GAGE.
PART SHOULD FIT ONE (1) THREAD
DEEP ON THE GAGE.

TOLERANCE - $\pm .015$ UNLESS OTHERWISE NOTED

DRAWN SMH	11/21/2005	ROBERT H. WAGER COMPANY, INC.		
CHECKED		TITLE		
QA		SOUNDING TUBE PLUG, 1.5" - 2"		
MFG		SIZE	DWG NO	REV
APPROVED		A	233-PLUG	A
		SCALE	SHEET 1 OF 1	